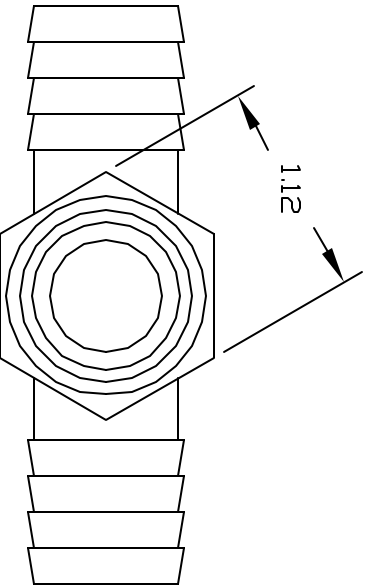
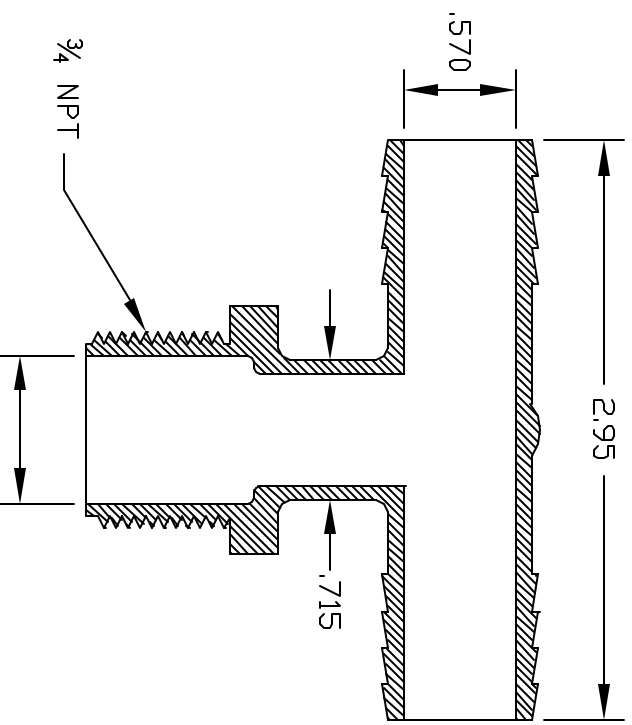
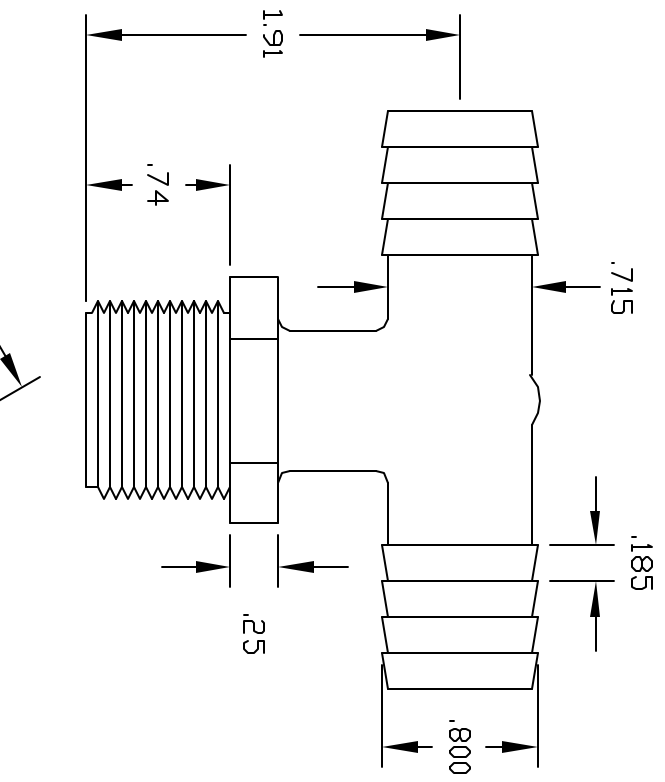


REVISIONS				
ZINC	REV	DESCRIPTION	DATE	APPROVED
	A	REDRAWN & RELEASED	4/98	4/98



CONTROLLED DOCUMENT
ONLY IF IN RED

CONFIDENTIAL
THIS PRINT AND THE SPECIFICATIONS ARE THE PROPERTY OF THOGUS PRODUCTS COMPANY AND HAVE BEEN ISSUED WITH THE UNDERSTANDING THAT IT IS TO BE KEPT FOR THE USE OF THE MANUFACTURER FOR OTHERS AND WILL BE RETURNED UPON REQUEST.

UNLESS OTHERWISE SPECIFIED DIMENSIONS ARE IN INCHES		Part Name	3/4NPT X 3/4 BARB X 3/4 BARB THREADED TEE
PRECISION TOLERANCES	XX +/- .05	Part Number	TT31212/PP
XX +/- .05	V +/- .05	DATE	4/98
XXX +/- .015		DRAWN	NM
		DATE	4/98
		Part Number	TT31212/PP
		SCALE	1:1
		SHEET	1 of 1
		REV	A

COLOR: BLACK (PPB)
NATURAL (PPN)

FORM 1000-100 (REV. 10-97) THOGUS PRODUCTS COMPANY