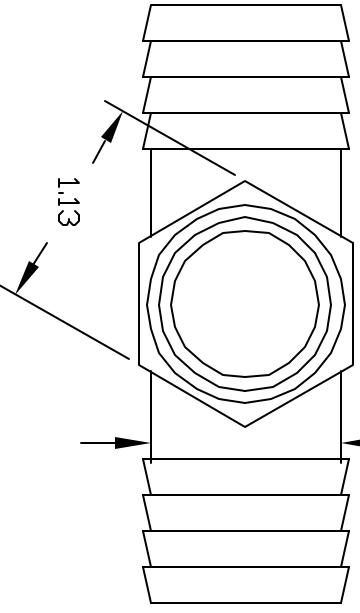
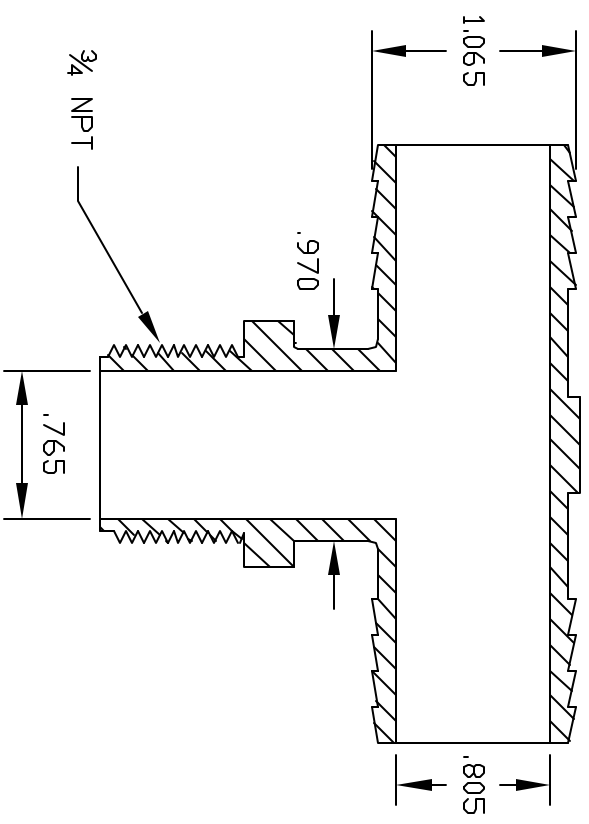
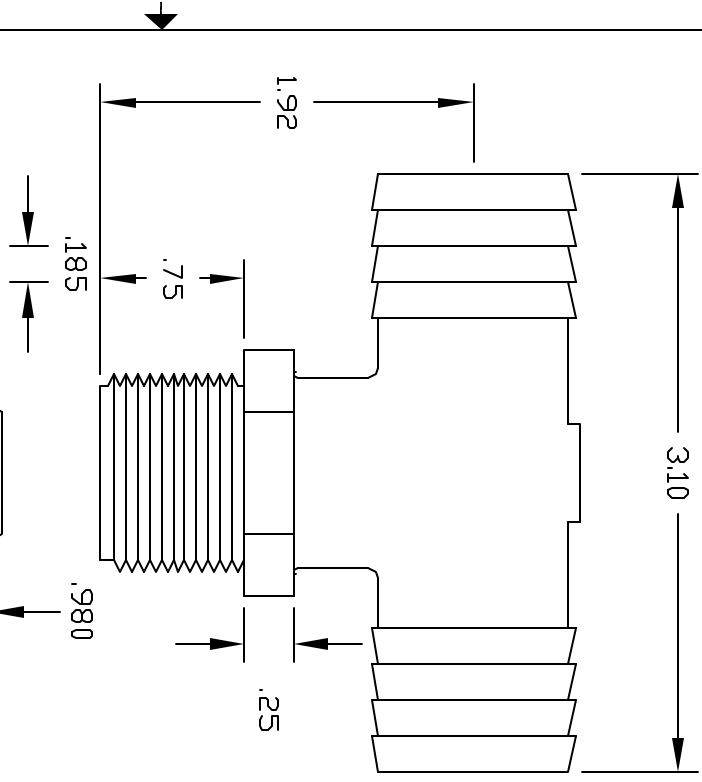


REVISIONS			
REV	DESCRIPTION	DATE	APPROVED
B	GATE PAD ADDED	9/98	9/98
C	UPDATE DVG	9/07	9/07



CONTROLLED DOCUMENT
ONLY IF IN RED

CONFIDENTIAL
THIS PRINT AND THE SPECIFICATIONS ARE THE PROPERTY OF THOGUS PRODUCTS COMPANY AND HAVE BEEN ISSUED WITH THE UNDERSTANDING THAT IT IS TO BE USED FOR THE MANUFACTURE OF THIS PRODUCT ONLY. IT IS TO BE RETURNED UPON REQUEST.

UNLESS OTHERWISE SPECIFIED DIMENSIONS ARE IN INCHES		TOLERANCES	
XX	+/- .05	XX	+/- .05
XXX	+/- .015	XXX	+/- .015
DRAWN	NM	DATE	4/98
DESIGNED	3121616N	MATERIAL	NYLON
Part Name	3/4 NPT X 1 BARB X 1 BARB THREADED TEE		
Part Number	TT3121616/N		
THOGUS PRODUCTS	33490 PIN DAK PARKWAY AVON LAKE OHIO 44012		
REV	C	SHEET	1 of 1