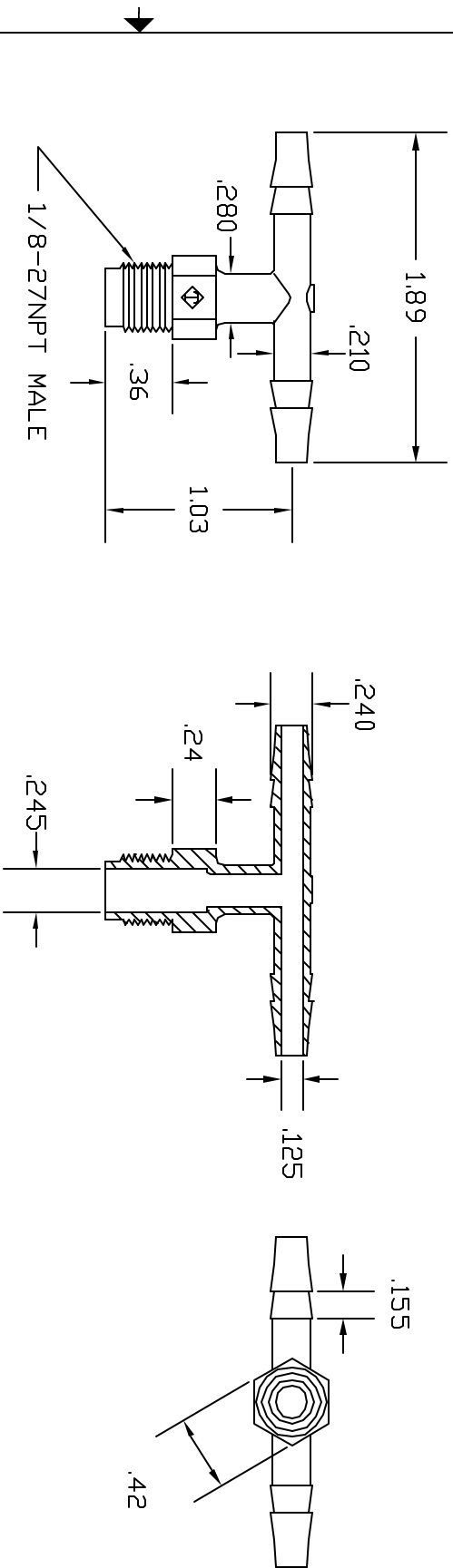


REV	DESCRIPTION	DATE	APPROVED
A	DRAWN AND RELEASED	4/98	4/98
B	MODIFY BARBS	12/06	12/06



UNLESS OTHERWISE SPECIFIED DIMENSIONS ARE IN INCHES		Part Number
DECIMALS .XX +/- .05	FRACTIONS XX/-05	1/8NPT X 3/16 BARB X 3/16 BARB TEE
ANGLES +/- .05		
DRAWN	DATE	
NM	4/98	
DESIGNED	Part Number	
3233P	TT3233/P	
MATERIAL	SCALE	
POLYETHYLENE	1:1	
	SHEET	
	1	
	OF	
	1	
	REV	
	B	

CONTROLLED DOCUMENT
ONLY IF IN RED