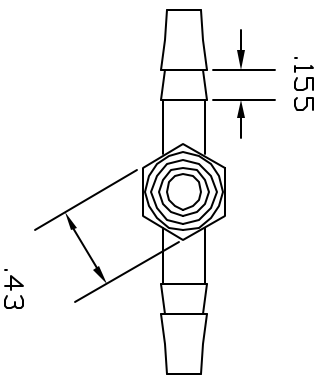
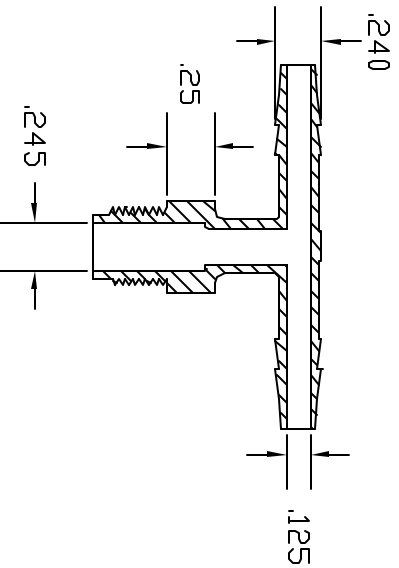
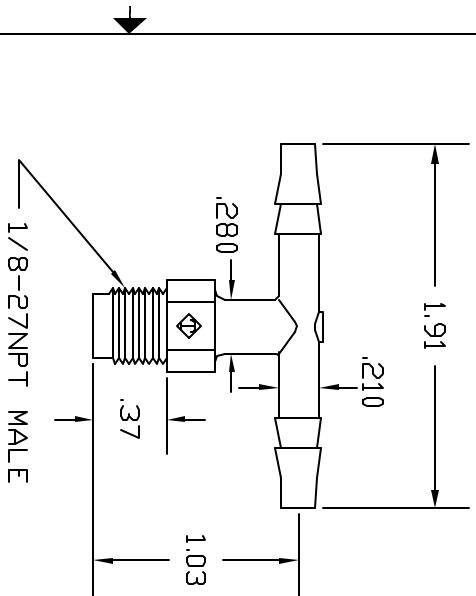


REVISIONS			
REV	DESCRIPTION	DATE	APPROVED
A	DRAWN AND RELEASED	4/98	4/98
B	MODIFY BARBS	12/06	12/06



COLOR: BLACK (PPB)
NATURAL (PPN)

UNLESS OTHERWISE SPECIFIED DIMENSIONS ARE IN INCHES TOLERANCES ANGULAR		Part Number
DECIMALS XX +/- .05		1/8NPT X 3/16 BARB X 3/16 BARB TEE
FRACTIONS XXX +/- .015		
DRAWN	DATE	
NM	4/98	
THOUGHUS PRODUCTS		
33490 PIN OAK PARKWAY		
AVON LAKE OHIO 44012		
PLASTIC 3233PP	Part Number	
POLYPROPYLENE	TT3233/PP	
	SCALE 1:1	
	SHEET 1 of 1	
	REV B	

CONTROLLED DOCUMENT
ONLY IF IN RED