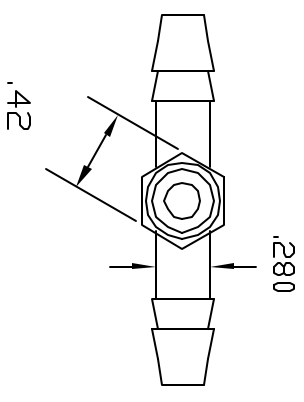
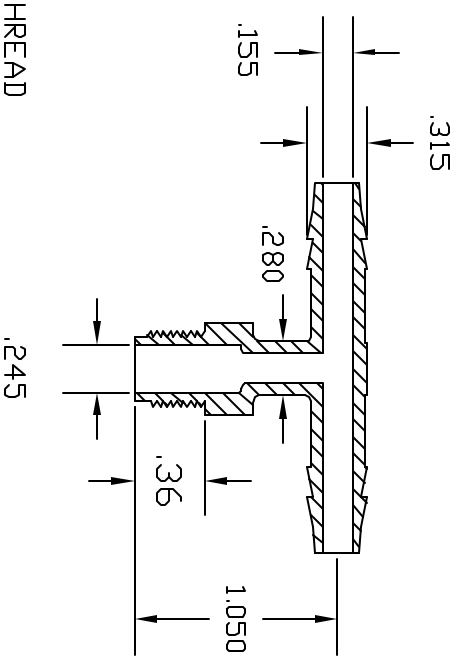
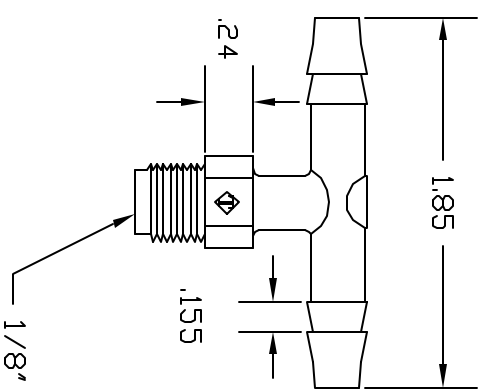


REVISIONS			
REV	DESCRIPTION	DATE	APPROVED
A	DRAWN AND RELEASED	4/98	4/98
B	NEW THREAD CAVITIES	5/00	5/00
C	MODIFY BARBS	12/02	12/02
D	UPDATE DWG	9/07	9/07



CONTROLLED DOCUMENT
ONLY IF IN RED

UNLESS OTHERWISE SPECIFIED DIMENSIONS ARE IN INCHES TOLERANCES DECIMALS ANGULARS .XX +/- .05 .XX +/- .05		Part Name: 1/8 NPT X 1/4 BARB X 1/4 BARB THREADED TEE
DRAWN NM	DATE 4/98	THOGUS PRODUCTS 33490 PIN OAK PARKWAY AYOON LAKE OHIO 44012
DESIGNED 3244P		
MATERIAL POLYETHYLENE		Part Number: TT3244/P
		REV D

SHEET 1 of 1