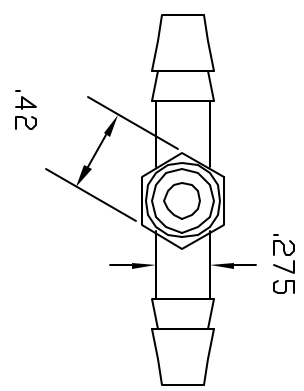
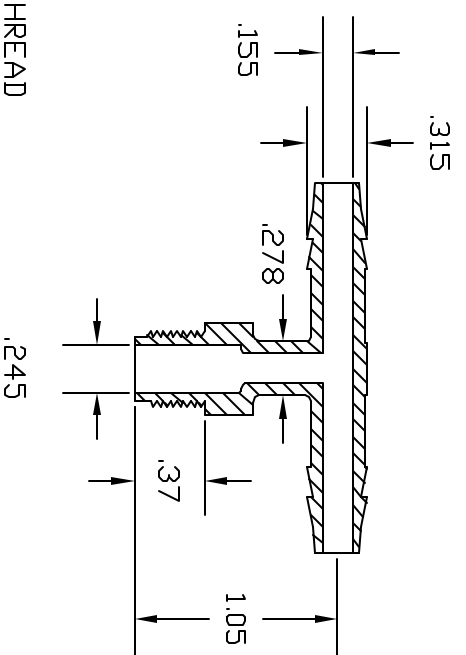
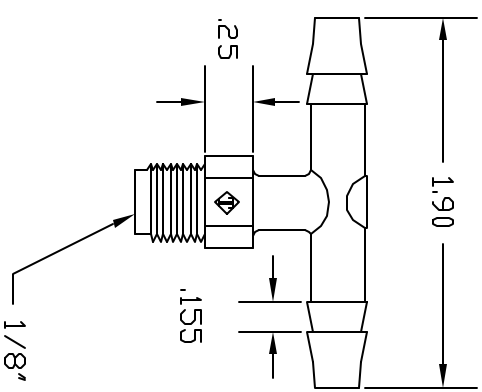


REV	DESCRIPTION	DATE	APPROVED
A	DRAWN AND RELEASED	4/98	4/98
B	NEW THREAD CAVITIES	5/00	5/00
C	MODIFY BARBS	12/02	12/02
D	UPDATE DWG	9/07	9/07



COLOR: BLACK (PPB)
NATURAL (PPN)

CONTROLLED DOCUMENT
ONLY IF IN RED

UNLESS OTHERWISE SPECIFIED DIMENSIONS ARE IN INCHES TOLERANCES ARE AS FOLLOWS		Part Name
DECIMALS .XX	ANGULAR ±.05	1/8 NPT X 1/4 BARB X 1/4 BARB THREADED TEE
FRAMING 3244PP	DATE 4/98	THOGUS PRODUCTS 33490 PIN OAK PARKWAY AYOON LAKE OHIO 44012
MATERIAL POLYPROPYLENE	REV D	
Part Number TT3244/PP		SHEET 1 of 1

THE INFORMATION ON THIS DRAWING IS UNCLASSIFIED