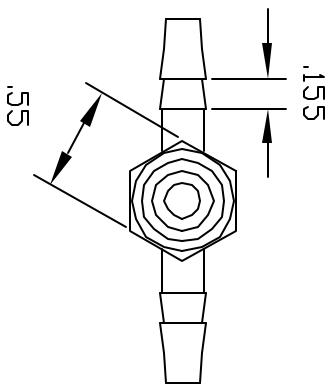
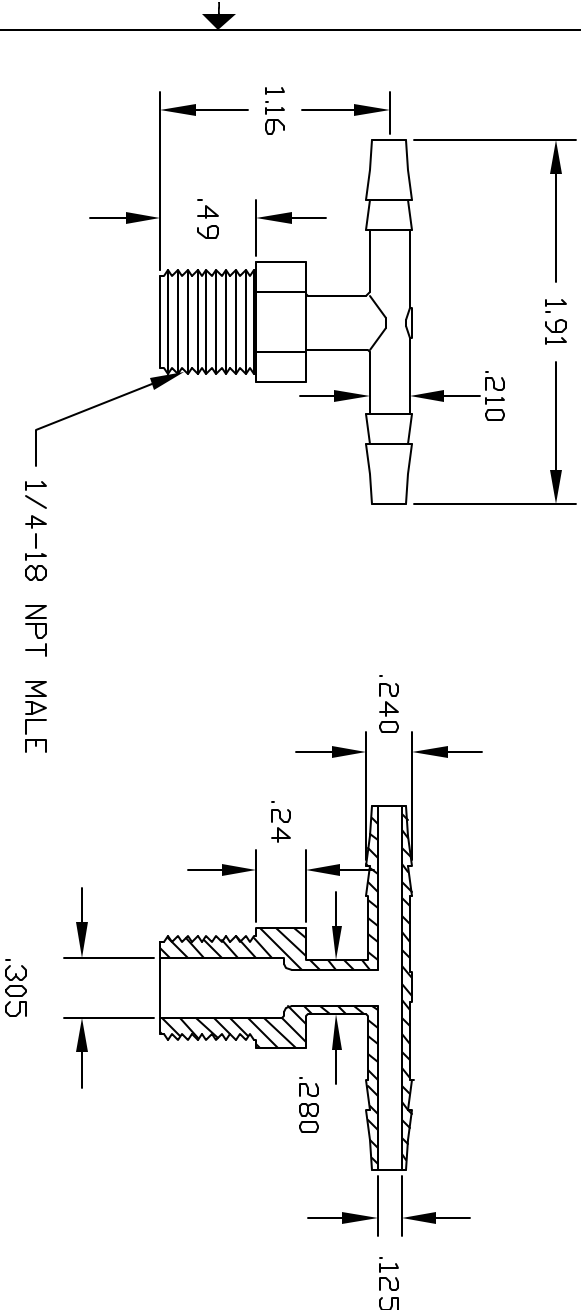


REV	DESCRIPTION	DATE	APPROVED
A	DRAWN AND RELEASED	4/98	4/98
B	MODIFY BARBS	12/06	12/06



COLOR: BLACK (PPB)
NATURAL (PPN)

UNLESS OTHERWISE SPECIFIED DIMENSIONS ARE IN INCHES TOLERANCES ARE: DECIMALS .005 FRACTIONS .005 ANGLES .05		Part Name: 1/4NPT X 3/16 BARB X 3/16 BARB TEE
DESIGNER: 3433PP	DATE: 4/98	THOGUS PRODUCTS 33490 PIN OAK PARKWAY AVON LAKE OHIO 44012
MATERIAL: POLYPROPYLENE	SCALE: 1:1	REV: A

CONTROLLED DOCUMENT
ONLY IF IN RED