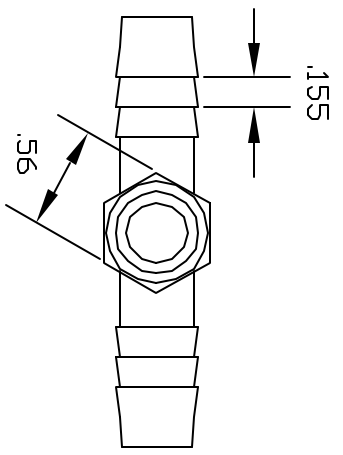
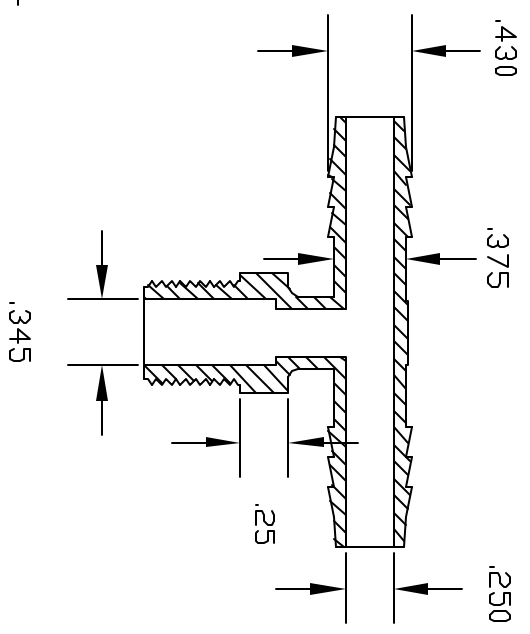
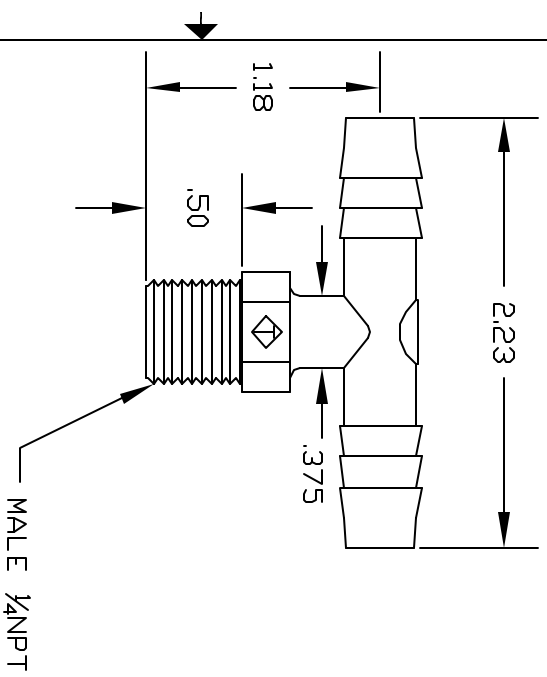


REVISIONS			
REV	DESCRIPTION	DATE	APPROVED
A	DRAWN AND RELEASE	4/98	4/98
B	MODIFY BARBS	5/04	5/04
C	UPDATE DWG	9/07	9/07



CONTROLLED DOCUMENT
ONLY IF IN RED

UNLESS OTHERWISE SPECIFIED DIMENSIONS ARE IN INCHES TOLERANCES ARE AS FOLLOWS		Part Name
DECIMALS XXX +/- .005	ANGLES +/- .05	1/4NPT X 3/8 BARB X 3/8 BARB THREADED TEE
DRAWN NM	DATE 4/98	THOGUS 33490 PIN OAK PARKWAY PRODUCTS AYOON LAKE OHIO 44012
FIGURE 3466N	MATERIAL NYLON	Part Number TT3466/N
		SHEET 1 of 1
		REV C