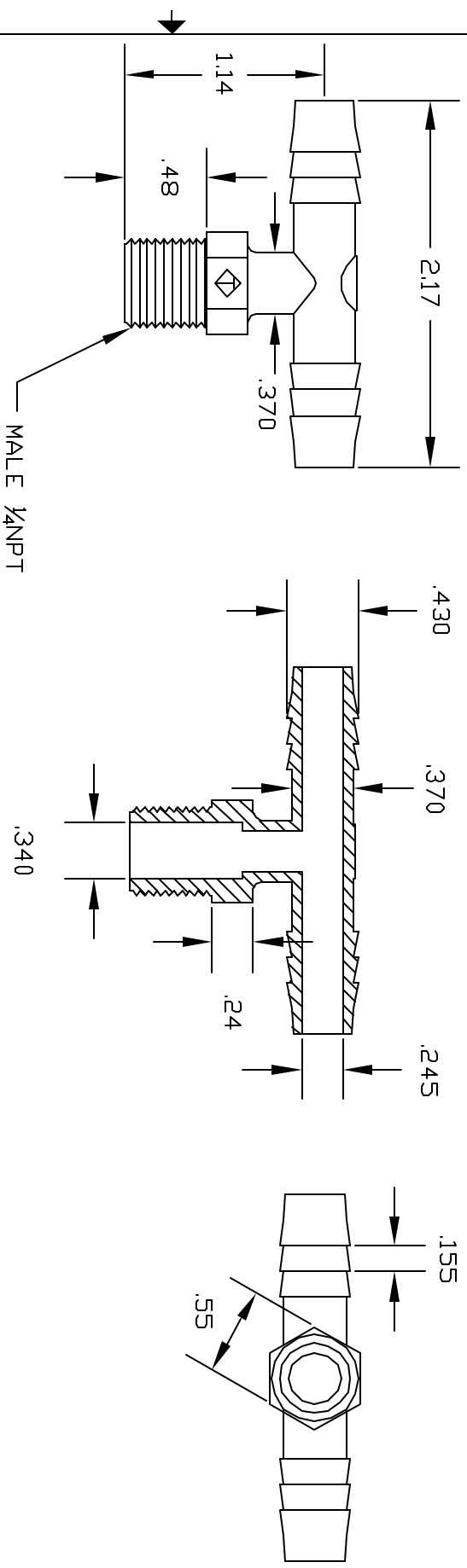


REVISIONS			
REV	DESCRIPTION	DATE	APPROVED
A	DRAWN AND RELEASED	4/98	4/98
B	MODIFY BARBS	5/04	5/04



UNLESS OTHERWISE SPECIFIED DIMENSIONS ARE IN INCHES		Part Name
DECIMALS XXX +/- .005	FRACTIONS XX +/- .005	1/4 NPT X 3/8 BARB X 3/8 BARB THREADED TEE
ANGLES XX +/- .05	DATE	THOGUS PRODUCTS
DRAWN	4/98	33490 PIN OAK PARKWAY AVON LAKE OHIO 44012
DESIGNED		
3466P		
MATERIAL		
POLYETHYLENE		
Part Number	Part Number	REV
TT3466/P	TT3466/P	B
SCALE 1:1	SHEET 1 of 1	

CONTROLLED DOCUMENT
ONLY IF IN RED