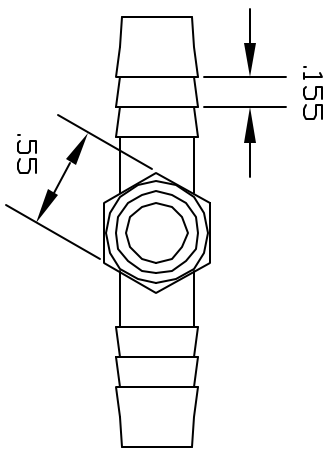
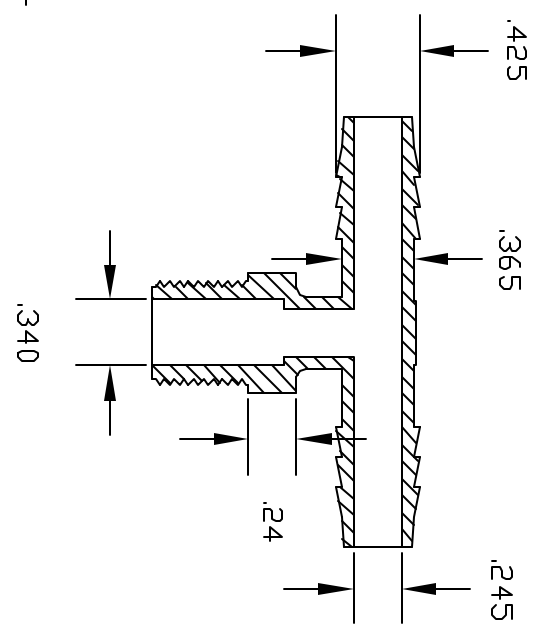
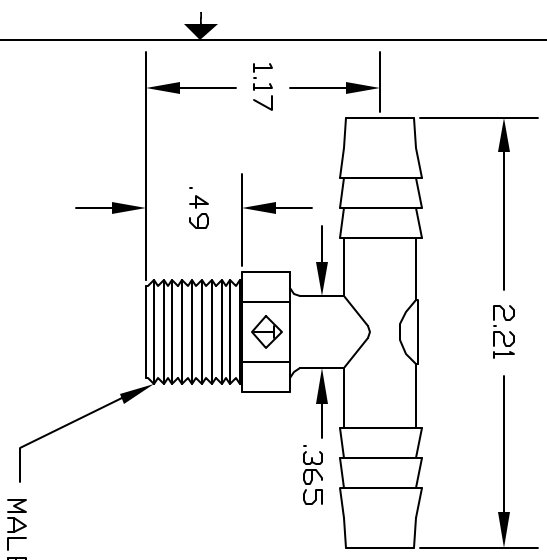


REVISIONS			
REV	DESCRIPTION	DATE	APPROVED
A	DRAWN AND RELEASED	4/98	4/98
B	MODIFY BARBS	5/04	5/04



COLOR: BLACK (PPB)
 NATURAL (PPN)

UNLESS OTHERWISE SPECIFIED DIMENSIONS ARE IN INCHES		Part Name	1/4NPT X 3/8 BARB X 3/8 BARB THREADED TEE
DECIMALS .XX	TOLERANCES ANGULAR XX +/- .05	THOGUS PRODUCTS	33490 PIN OAK PARKWAY AVON LAKE OHIO 44012
DRAWN	DATE	Part Number	TT3466/PP
NM	4/98	Material	POLYPROPYLENE
Part Number	Scale	Sheet	Rev
TT3466/PP	1:1	1 of 1	B

CONTROLLED DOCUMENT
 ONLY IF IN RED