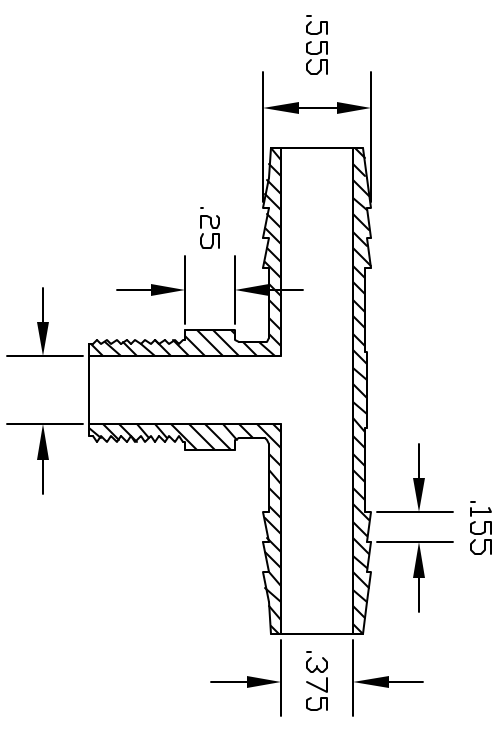
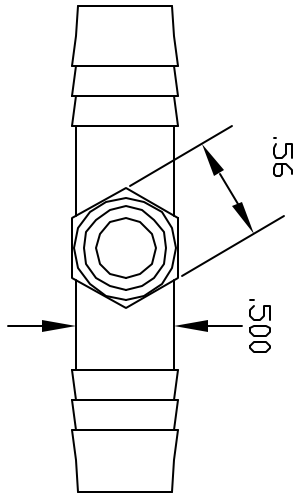
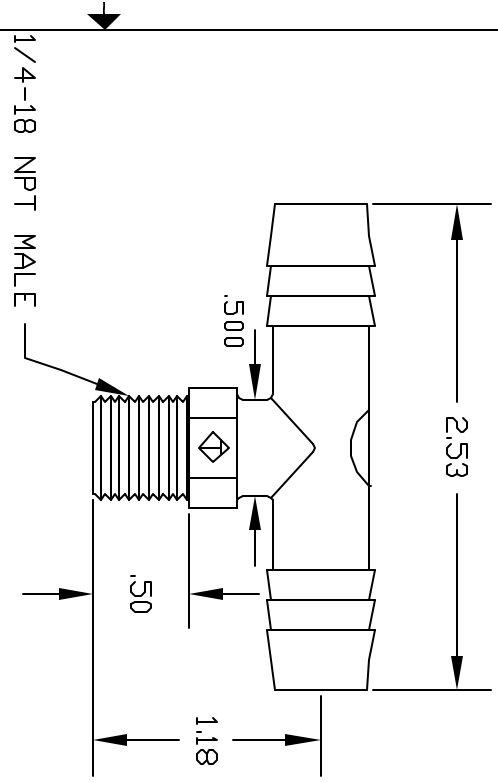


REVISIONS			
REV	DESCRIPTION	DATE	APPROVED
A	DRAWN AND RELEASE	4/98	4/98
B	REVISED BARB	5/04	5/04
C	UPDATE DWG	9/07	9/07



CONTROLLED DOCUMENT
ONLY IF IN RED

UNLESS OTHERWISE SPECIFIED DIMENSIONS ARE IN INCHES TOLERANCES ARE AS FOLLOWS		Part Name	
DECIMALS XX +/- .005	ANGLES XX +/- .010	1/4 NPT X 1/2 BARB X 1/2 BARB THREADED TEE	
DRAWN NM	DATE 4/98	THOGUS PRODUCTS 33490 PIN DAK PARKWAY AYDON LAKE OHIO 44012	
THOGUS 3488N	Part Number TT3488/N	REV C	
MATERIAL NYLON	SHEET 1 of 1		