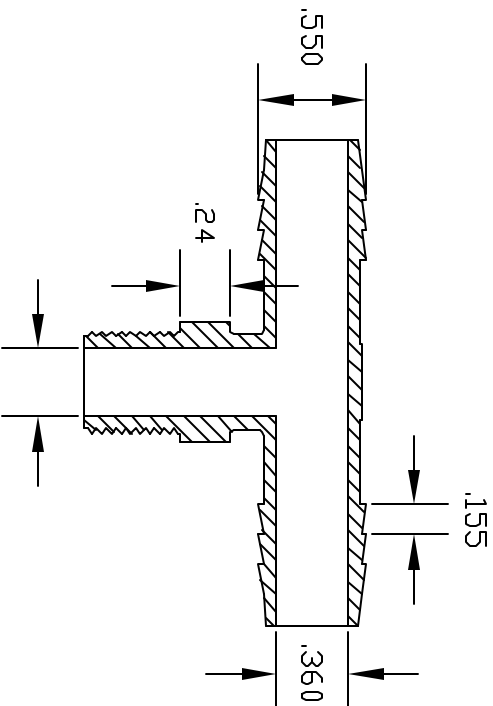
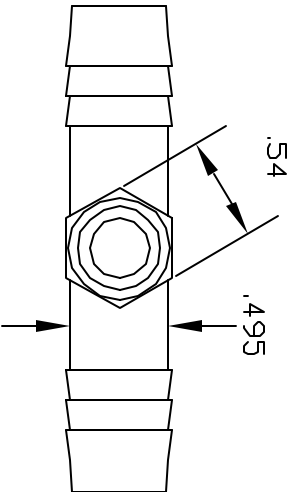
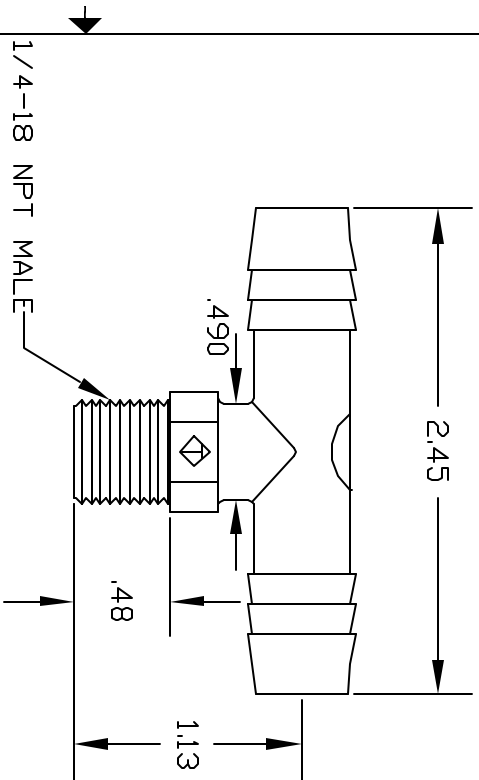


REVISIONS			
REV	DESCRIPTION	DATE	APPROVED
A	DRAWN AND RELEASED	4/98	4/98
B	REVISED BARB	5/04	5/04



CONTROLLED DOCUMENT
ONLY IF IN RED

UNLESS OTHERWISE SPECIFIED DIMENSIONS ARE IN INCHES TOLERANCES ARE AS FOLLOWS		Part Name	
DECIMALS XX +/- .005	ANGLES XXX +/- .015	1/4 NPT X 1/2 BARB X 1/2 BARB THREADED TEE	
DRAWN NM	DATE 4/98	THOGUS PRODUCTS	
DESIGNED 3488P		33490 PIN DAK PARKWAY AVON LAKE OHIO 44012	
MATERIAL POLYETHYLENE		Part Number	REV
		TT3488/P	A
		SCALE 1:1	SHEET 1 of 1

THOGUS PRODUCTS
33490 PIN DAK PARKWAY
AVON LAKE OHIO 44012