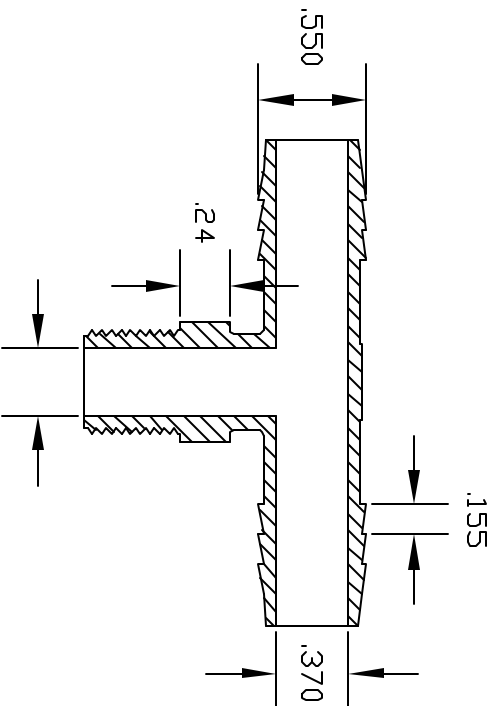
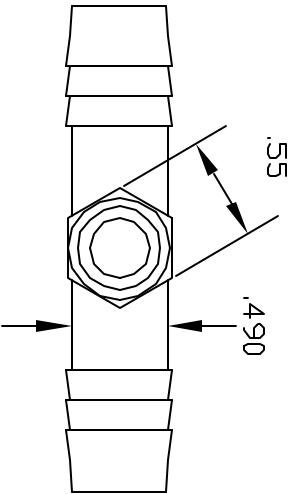
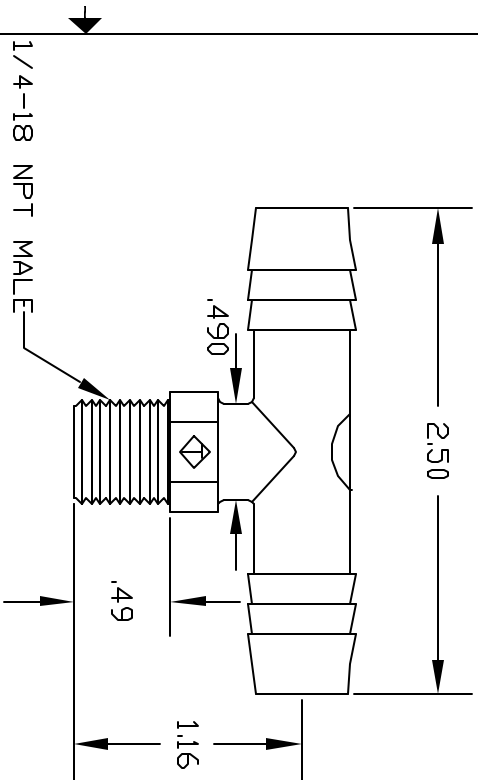


REVISIONS			
REV	DESCRIPTION	DATE	APPROVED
A	DRAWN AND RELEASED	4/98	4/98
B	REVISED BARB	5/04	5/04



COLOR: BLACK (PPB)
NATURAL (PPN)

UNLESS OTHERWISE SPECIFIED DIMENSIONS ARE IN INCHES TOLERANCES ANGULAR DECIMALS .XX \pm .05 .XXX \pm .010		Part Name 1/4 NPT X 1/2 BARB X 1/2 BARB THREADED TEE
DRAWN NM	DATE 4/98	THOGUS PRODUCTS 33490 PIN DAK PARKWAY AVON LAKE OHIO 44012
MATERIAL POLYPROPYLENE	Part Number TT3488/PP	Part Number TT3488/PP
SCALE 1:1	SHEET 1	REV A

CONTROLLED DOCUMENT
ONLY IF IN RED