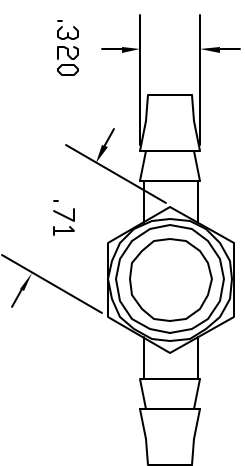
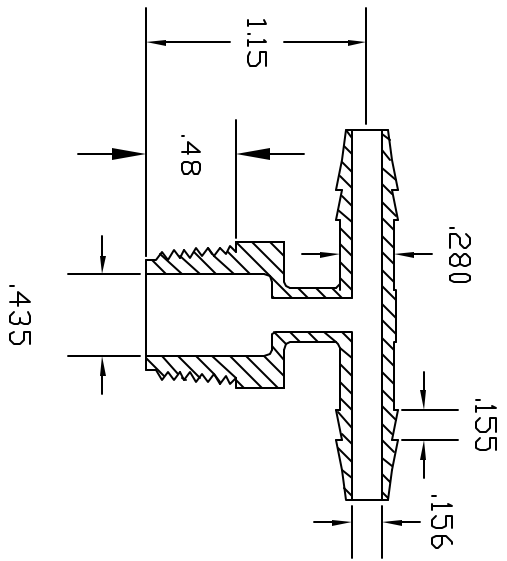
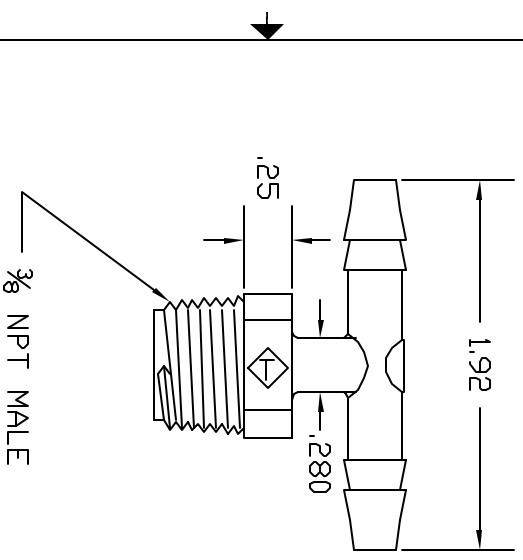


REVISIONS			
REV	DESCRIPTION	DATE	APPROVED
A	DRAWN AND	4/98	4/98
B	MODIFY BARBS	01/03	01/03
C	UPDATE DWG	9/07	9/07



CONTROLLED DOCUMENT
ONLY IF IN RED

UNLESS OTHERWISE SPECIFIED DIMENSIONS ARE IN INCHES TOLERANCES DECIMALS ANGULARS .XX +/- .05 .XXX +/- .015 +/- .05		PART NAME 3/8 NPT X 1/4 BARB X 1/4 BARB THREADED TEE	
DESIGNER NM	DRAWN NM	THOGUS PRODUCTS 33490 PIN DAK PARKWAY AVON LAKE OHIO 44012	
MATERIAL NYLON	3644N	Part Number TT3644/N	REV C
SHEET 1 of 1		REV C	