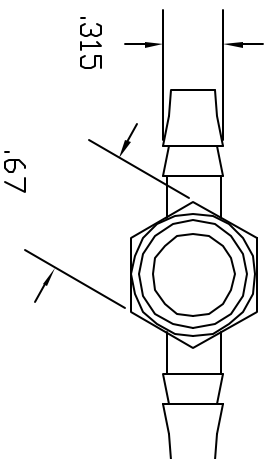
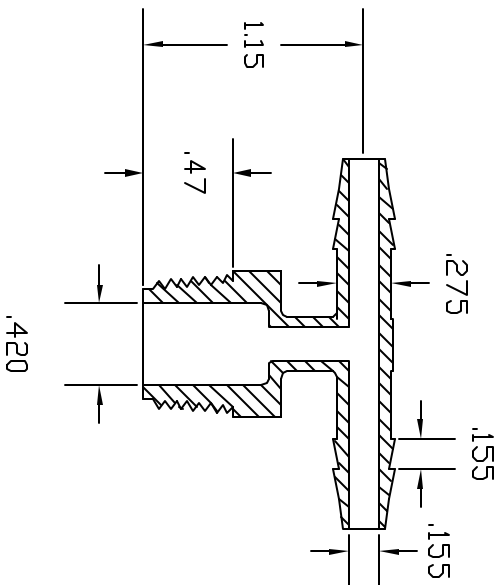
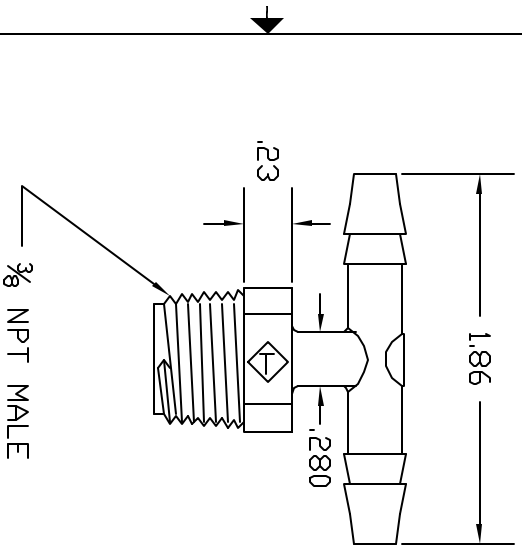


| REV | DESCRIPTION        | DATE  | APPROVED |
|-----|--------------------|-------|----------|
| A   | DRAWN AND RELEASED | 4/98  | 4/98     |
| B   | MODIFY BARBS       | 01/03 | 01/03    |



CONTROLLED DOCUMENT  
ONLY IF IN RED

|   |  |   |  |
|---|--|---|--|
| UNLESS OTHERWISE SPECIFIED<br>DIMENSIONS ARE IN INCHES<br>TOLERANCES<br>DECIMALS ANGULARS<br>.XX +/- .05<br>.XXX +/- .015<br>+/-.05 |  | PART NAME<br>3/8 NPT X 1/4 BARB X 1/4 BARB THREADED TEE           |  |
| DRAWN NM  |  | THOGUS PRODUCTS<br>33490 PIN DAK PARKWAY<br>AYDON LAKE OHIO 44012 |  |
| MATERIAL<br>POLYETHYLENE  |  | Part Number<br>TT3644/P   |  |
| SCALE 1:1   |  | SHEET 1 of 1  |  |
|   |  | REV B   |  |