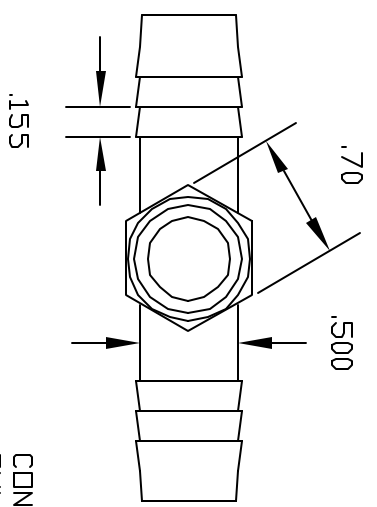
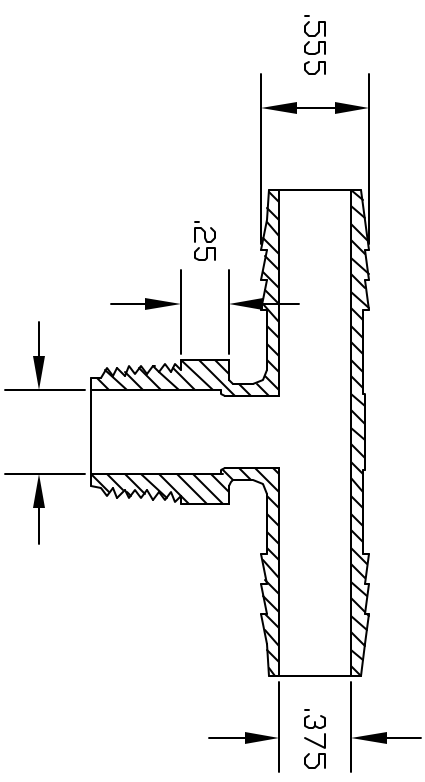
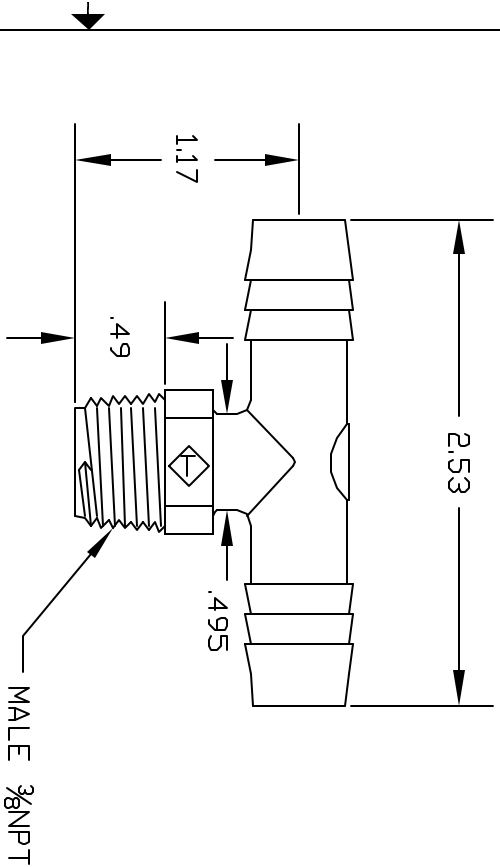


REVISIONS			
REV	DESCRIPTION	DATE	APPROVED
A	DRAWN AND RELEASED	4/98	4/98
B	MODIFY BARBS	5/04	5/04
C	UPDATE DWG	9/07	9/07



CONTROLLED DOCUMENT
ONLY IF IN RED

UNLESS OTHERWISE SPECIFIED DIMENSIONS ARE IN INCHES TOLERANCES ARE: DECIMALS XXX +/- .015 ANGLES +/- .05		Part Name 3/8NPT X 1/2 BARB X 1/2 BARB THREADED TEE	
DRAWN NM	DATE 4/98	THOGUS PRODUCTS 3340 PIN OAK PARKWAY AVON LAKE OHIO 44012	
CHECKED	4/98	Part Number TT3688/N	REV C
MATERIAL NYLON		SHEET 1	of 1