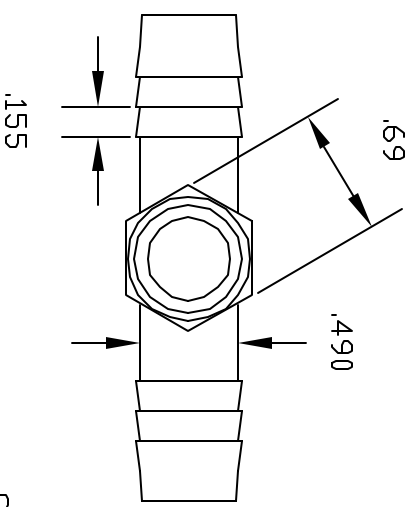
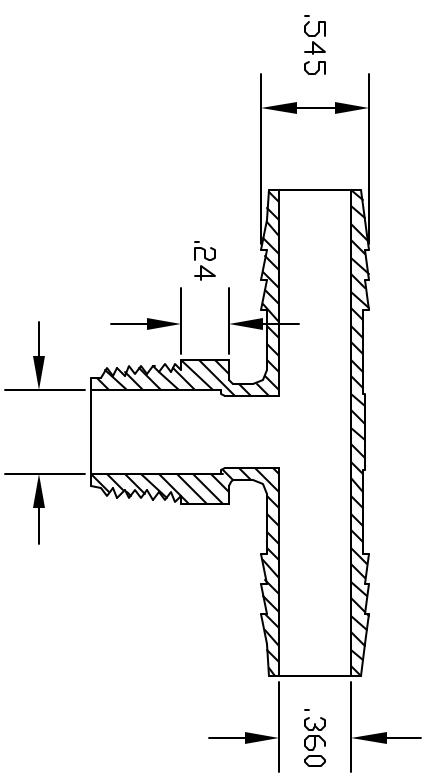
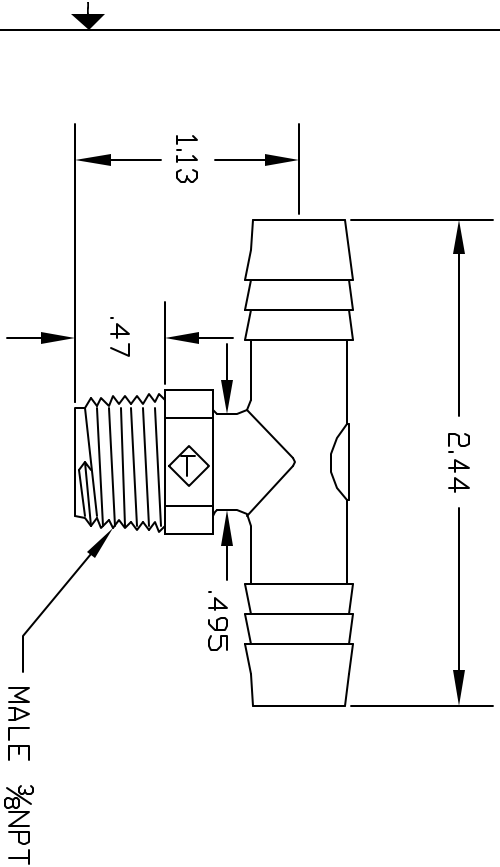


REVISIONS			
REV	DESCRIPTION	DATE	APPROVED
A	DRAWN AND RELEASED	4/98	4/98
B	MODIFY BARBS	5/04	5/04



CONTROLLED DOCUMENT
ONLY IF IN RED

UNLESS OTHERWISE SPECIFIED DIMENSIONS ARE IN INCHES TOLERANCES ARE AS FOLLOWS		Part Name	
DECIMALS .XX +/- .05	ANGLES ± .05	3/8NPT X 1/2 BARB X 1/2 BARB THREADED TEE	
FRAC XXX +/- .015		THOGUS PRODUCTS 3340 PIN OAK PARKWAY AVON LAKE OHIO 44012	
DRAWN NM	DATE 4/98	Part Number TT3688/P	REV B
CHECKED		SCALE 1:1	SHEET 1 of 1
MATERIAL POLYETHYLENE			

THIS DRAWING IS THE PROPERTY OF THOGUS PRODUCTS. IT IS TO BE USED ONLY FOR THE PROJECT AND QUANTITY SPECIFIED. IT IS NOT TO BE REPRODUCED OR TRANSMITTED IN ANY FORM OR BY ANY MEANS, ELECTRONIC OR MECHANICAL, WITHOUT THE WRITTEN PERMISSION OF THOGUS PRODUCTS.