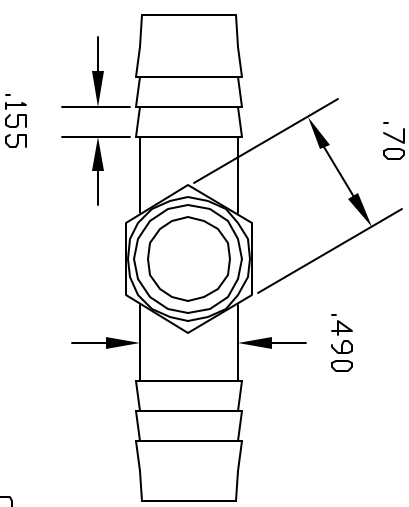
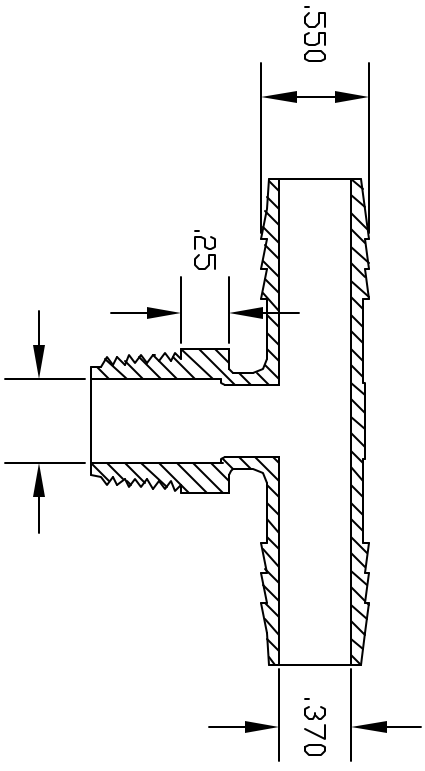
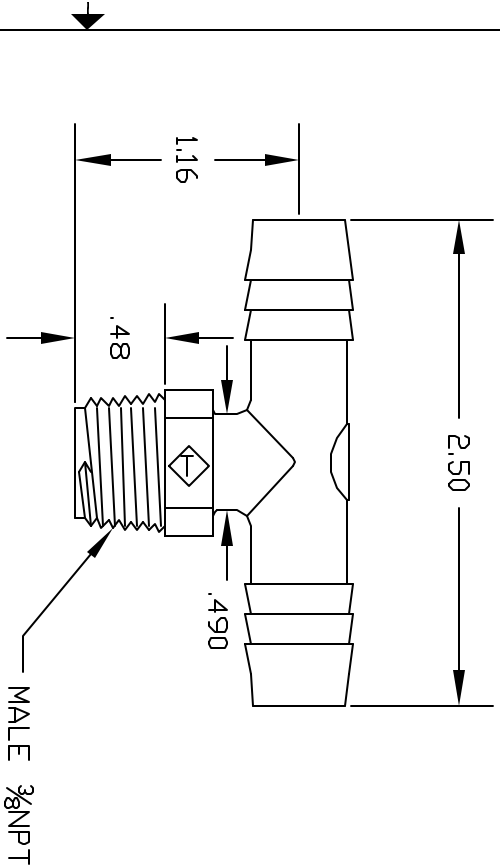


REVISIONS			
REV	DESCRIPTION	DATE	APPROVED
A	DRAWN AND RELEASED	4/98	4/98
B	MODIFY BARBS	5/04	5/04



CONTROLLED DOCUMENT
ONLY IF IN RED

UNLESS OTHERWISE SPECIFIED DIMENSIONS ARE IN INCHES DECIMALS .XX +/- .05 .XXX +/- .015		Part Name	
CHECKED	DATE	3/8NPT X 1/2 BARB X 1/2 BARB THREADED TEE	
DRAWN	DATE	THOGUS PRODUCTS 3340 PIN OAK PARKWAY AVONDALE LAKE OHIO 44012	
MATERIAL	SCALE	Part Number	REV
POLYPROPYLENE	1:1	TT3688/PP	B
SHEET 1 of 1		REV B	

COLOR: BLACK (PPB)

NATURAL (PPN)

THOGUS PRODUCTS IS AN EQUAL OPPORTUNITY EMPLOYER