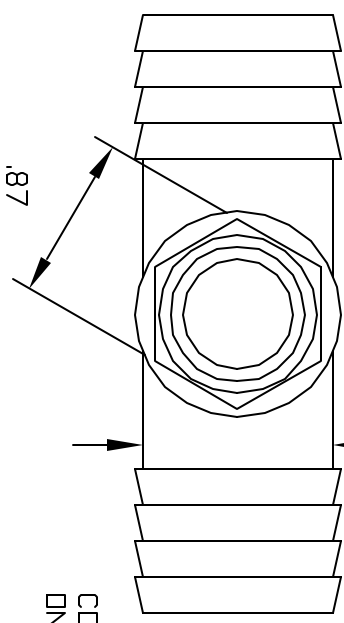
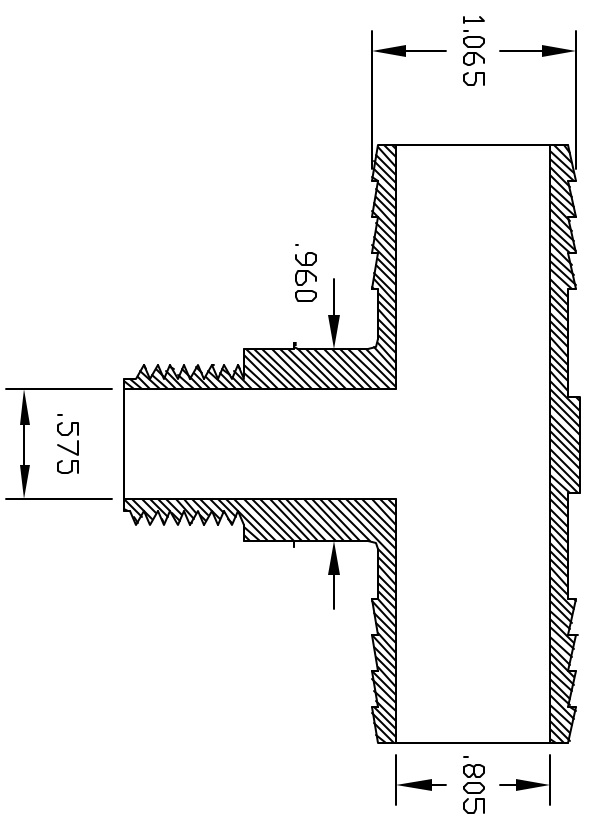
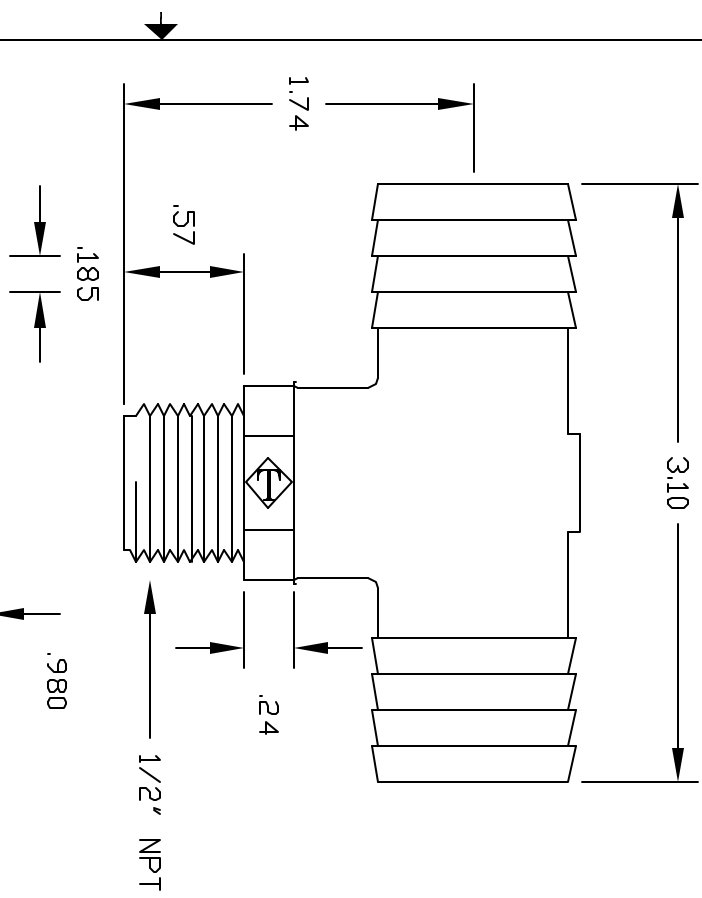


REVISIONS			
REV	DESCRIPTION	DATE	APPROVED
B	GATE PAD ADDED	9/98	9/98
C	UPDATE DWG	9/07	9/07



CONTROLLED DOCUMENT  
ONLY IF IN RED

**CONFIDENTIAL**  
THIS PRINT AND THE SPECIFICATIONS ARE THE PROPERTY OF THOGUS PRODUCTS COMPANY AND HAVE BEEN ISSUED WITH THE UNDERSTANDING THAT IT IS TO BE KEPT FOR THE MANUFACTURE FOR OTHERS AND WILL BE RETURNED UPON REQUEST.

UNLESS OTHERWISE SPECIFIED DIMENSIONS ARE IN INCHES		TOLERANCES	
FRACTIONS		DECIMALS	
XX +/- .05		XX +/- .05	
XXX +/- .015		XX +/- .015	
DRAWN	NM	DATE	4/98
DESIGNED BY		381616N	
MATERIAL		NYLON	
Part Name	1/2 NPT X 1 BARB X 1 BARB TREADED TEE		
Part Number	TT381616/N		
REV	C		
THOGUS PRODUCTS		33490 PIN DAK PARKWAY AVON LAKE OHIO 44012	
SHEET	1	of	1