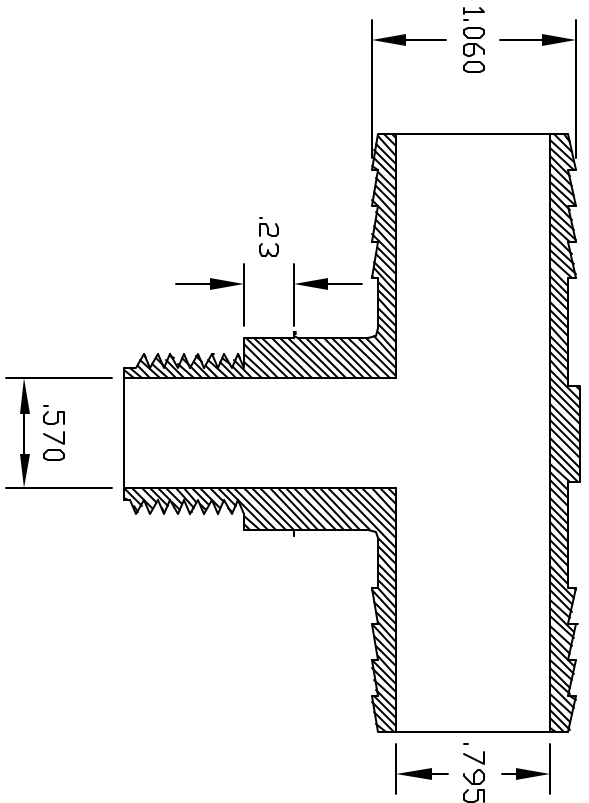
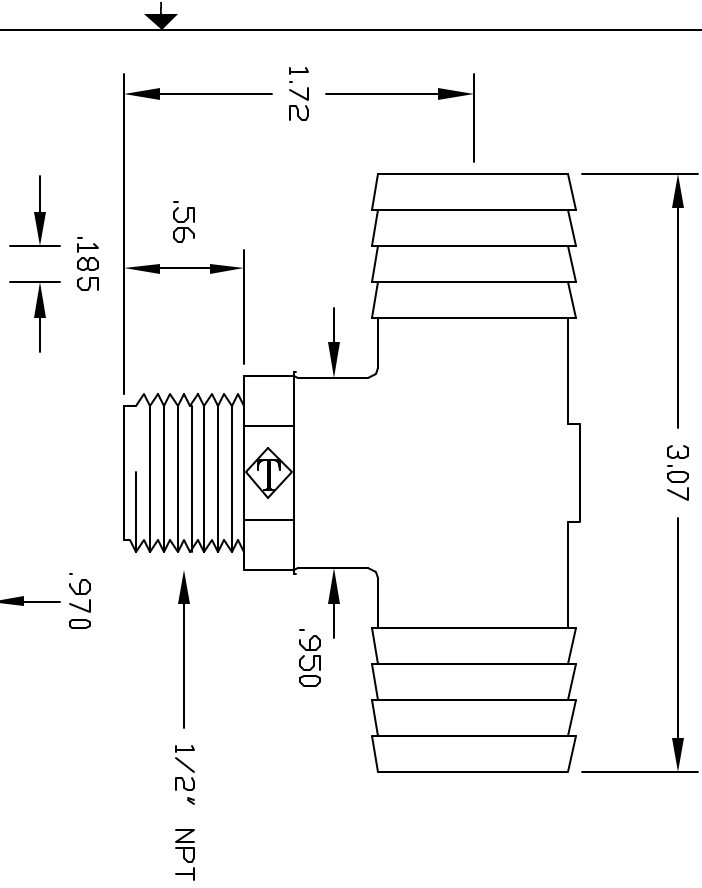


REVISIONS				
ZINC	REV	DESCRIPTION	DATE	APPROVED
	B	GATE PAD ADDED	9/98	9/98



CONTROLLED DOCUMENT
ONLY IF IN RED

COLOR: BLACK (PPB)
NATURAL (PPN)

CONFIDENTIAL
THIS PRINT AND THE SPECIFICATIONS ARE THE PROPERTY OF THOGUS PRODUCTS COMPANY AND HAVE BEEN ISSUED WITH THE UNDERSTANDING THAT REVEALING TO OTHERS OR THE MANUFACTURE FOR OTHERS AND WILL BE RETURNED UPON REQUEST.

UNLESS OTHERWISE SPECIFIED DIMENSIONS ARE IN INCHES		Part Name:	1/2 NPT X 1 BARB X 1 BARB TREADED TEE
TOLERANCES UNLESS OTHERWISE SPECIFIED		Part Number:	TT381616/PP
XX +/- .05	YY .05	THOGUS PRODUCTS	33490 PIN OAK PARKWAY
XXX +/- .015	ZZ .015	AVON LAKE OHIO	44012
DRAWN	DATE	MATERIAL	POLYPROPYLENE
NM	4/98	FINISH	381616PP
SCALE 1:1		SHEET 1 of 1	

REV B