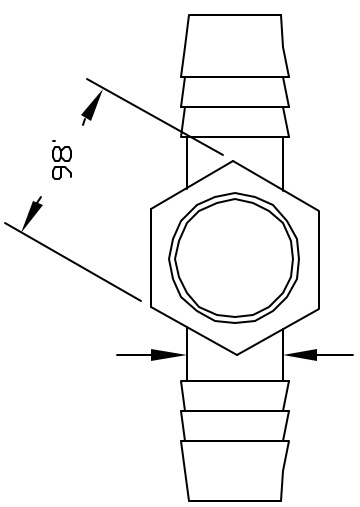
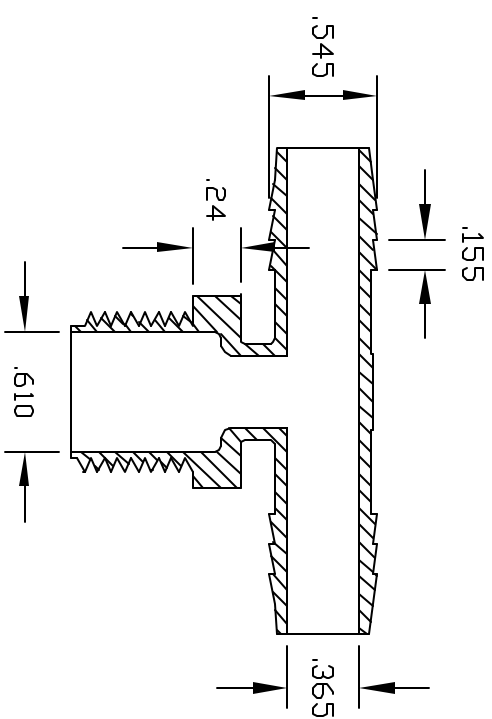
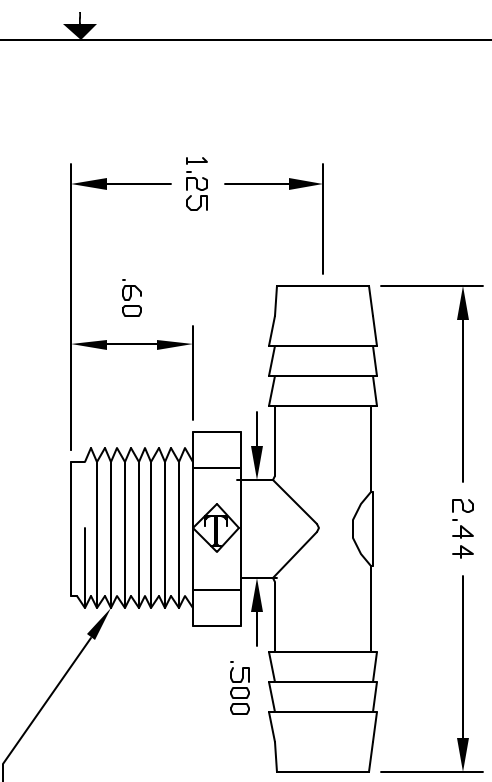


REVISIONS			
REV	DESCRIPTION	DATE	APPROVED
A	REDRAWN & RELEASED	4/98	4/98
B	MODIFY BARBS	5/04	5/04



CONTROLLED DOCUMENT
ONLY IF IN RED

THIS PRINT AND THE SPECIFICATIONS ARE THE PROPERTY OF THOGUS PRODUCTS COMPANY AND HAVE BEEN ISSUED WITH THE UNDERSTANDING THAT THEY ARE TO BE USED FOR THE MANUFACTURE OF OTHERS AND WILL BE RETURNED UPON REQUEST.

UNLESS OTHERWISE SPECIFIED DIMENSIONS ARE IN INCHES		DRAWN		DATE	
XX +/- .05	XX +/- .05	NM		4/98	
XXX +/- .015	1 +/- .05				
Part Name: 1/2NPT X 1/2 BARB X 1/2 BARB THREADED TEE		Part Number: TT3888/P		REV: B	
THOGUS PRODUCTS		33490 PIN DAK PARKWAY		AYDON LAKE OHIO 44012	
MATERIAL: POLYETHYLENE		SCALE: 1:1		SHEET 1 of 1	

THOGUS PRODUCTS COMPANY, 33490 PIN DAK PARKWAY, AYDON LAKE, OHIO 44012