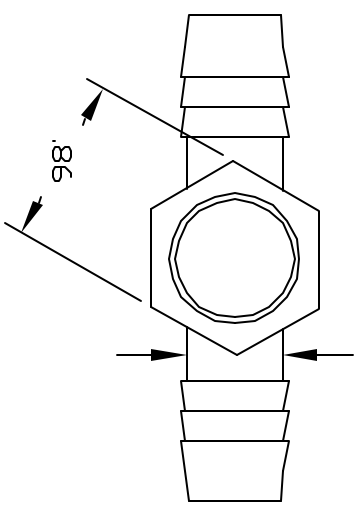
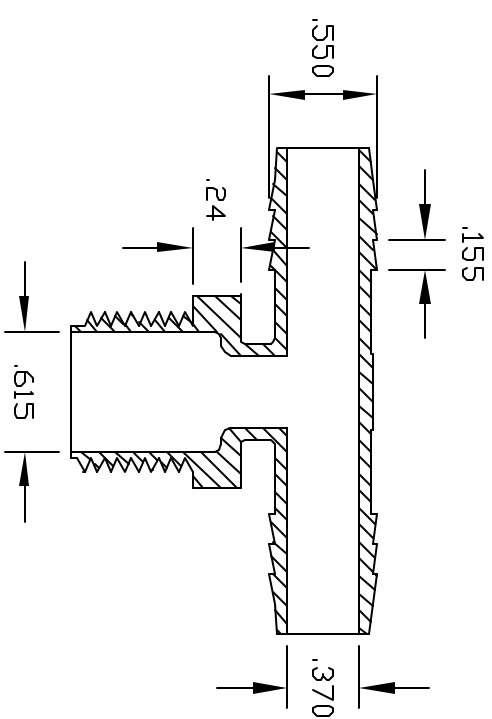
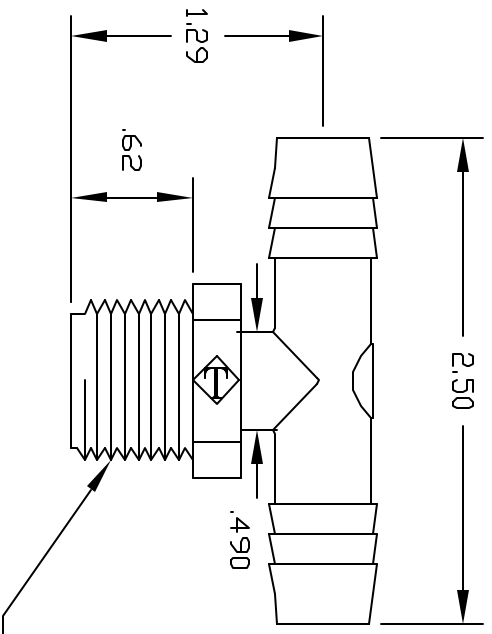


REVISIONS			
REV	DESCRIPTION	DATE	APPROVED
A	REDRAWN & RELEASED	4/98	4/98
B	MODIFY BARBS	5/04	5/04



CONTROLLED DOCUMENT
ONLY IF IN RED

CONFIDENTIAL
THIS PRINT AND THE SPECIFICATIONS ARE THE PROPERTY OF THOGUS PRODUCTS COMPANY AND HAVE BEEN ISSUED WITH THE UNDERSTANDING THAT REVIEW AND REUSE FOR THE MANUFACTURE FOR OTHERS AND WILL BE RETURNED UPON REQUEST.

UNLESS OTHERWISE SPECIFIED DIMENSIONS ARE IN INCHES	FINISH	DATE
TECHNICAL INTERFACES	NM	4/98
XX +/- .05		
XXX +/- .05		
DRAWN		
3888PP		
WATERBURY		
POLYPROPYLENE		

Part Name:	1/2NPT X 1/2 BARB X 1/2 BARB THREADED TEE
Part Number:	TT3888/PP
THOGUS PRODUCTS	33490 PIN DAK PARKWAY AVON LAKE OHIO 44012
SCALE	1:1
SHEET	1 of 1
REV	B

COLOR: BLACK (PPB)
NATURAL (PPN)

THE INFORMATION ON THIS DRAWING IS UNCLASSIFIED