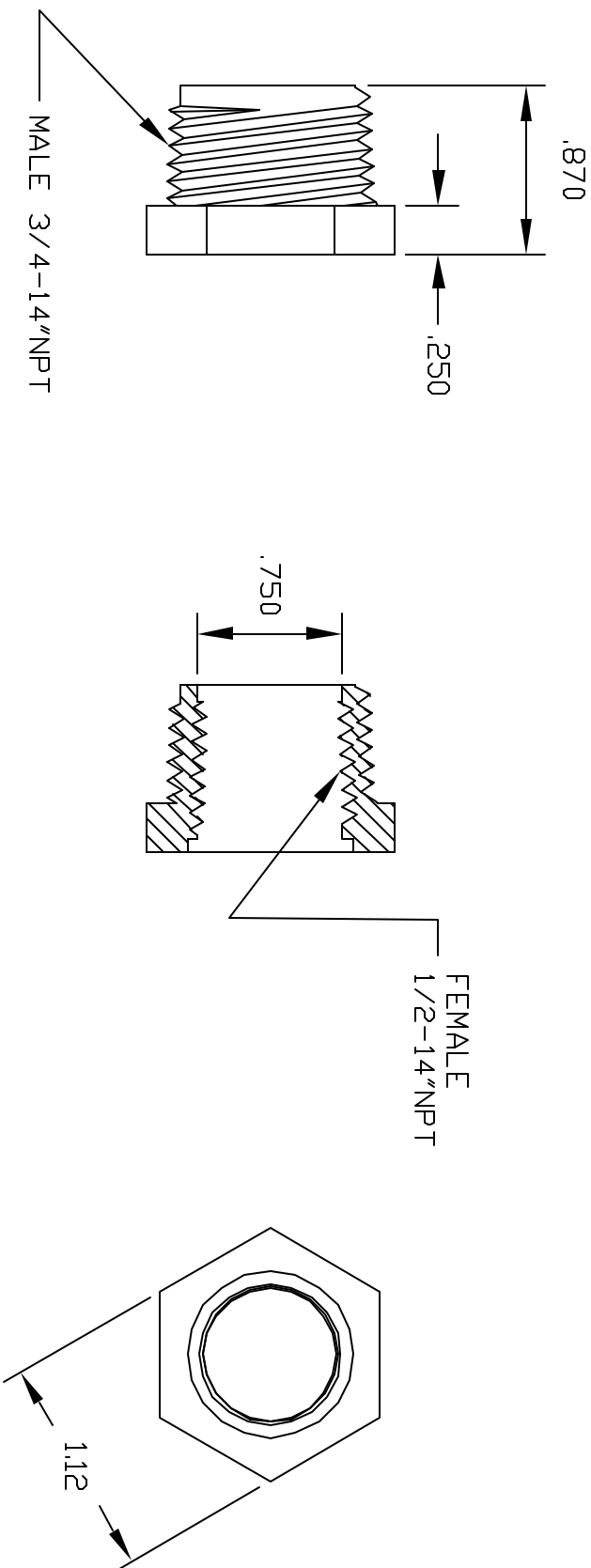


REV	DESCRIPTION	DATE	APPROVED
A	DRAWN	05/02	05/02
B	UPDATE DWG	9/07	9/07



CONTROLLED DOCUMENT  
ONLY IF IN RED

**CONFIDENTIAL**  
THIS PRINT AND THE SPECIFICATIONS ARE THE PROPERTY OF THOGUS PRODUCTS COMPANY AND HAVE BEEN ISSUED WITH THE UNDERSTANDING THAT IT WILL NOT BE REPRODUCED, REVEALED TO OR USED FOR THE MANUFACTURE FOR OTHERS AND WILL BE RETURNED UPON REQUEST.

UNLESS OTHERWISE SPECIFIED DIMENSIONS ARE IN INCHES		PART NAME: 3/4NPT MALE X 1/2NPT FEMALE	
DECIMALS	TOLERANCES	REDUCER BUSHING	
XX +.05	ANGULAR	THOGUS 33490 PIN OAK PARKWAY	
XXX +/- .005		AVON LAKE OHIO 44012	
DRAWN	DATE	PART NUMBER	
BM	5/02	TRB3412/N	
FILE NAME:		REV	
TRB3412N		B	
MATERIAL		SHEET 1 OF 1	
NYLON			