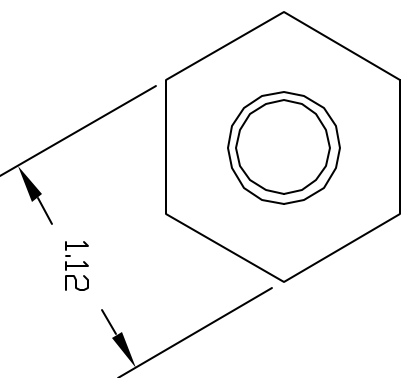
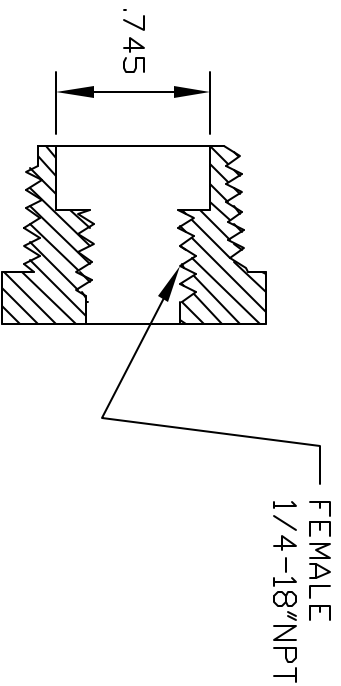
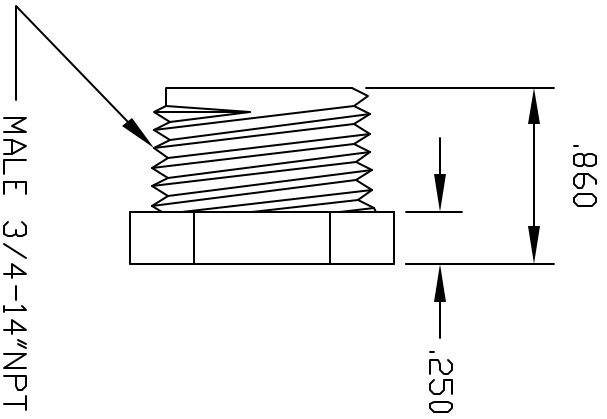


REV	DESCRIPTION	DATE	APPROVED
A	DRAWN	05/02	05/02
B	UPDATE DWG	9/07	9/07



CONTROLLED DOCUMENT
ONLY IF IN RED

CONFIDENTIAL
THIS PRINT AND THE SPECIFICATIONS ARE THE PROPERTY OF THOGUS PRODUCTS COMPANY AND HAVE BEEN ISSUED WITH THE UNDERSTANDING THAT IT WILL NOT BE REPRODUCED, REVEALED TO OR USED FOR THE MANUFACTURE FOR OTHERS AND WILL BE RETURNED UPON REQUEST. Ⓢ

UNLESS OTHERWISE SPECIFIED DIMENSIONS ARE IN INCHES TOLERANCES DECIMALS .XX +/- .05 ANGULAR +/- .05 XXX +/- .015		DRAWN BM	DATE 4/02
TITENAME: TRB3414N		MATERIAL NYLON	
PART NAME: 3/4NPT MALE X 1/4NPT FEMALE REDUCER BUSHING		PART NUMBER TRB3414/N	
THOGUS PRODUCTS 33450 PIN OAK PARKWAY AVON LAKE OHIO 44012		SHEET 1	OF 1
REV B			