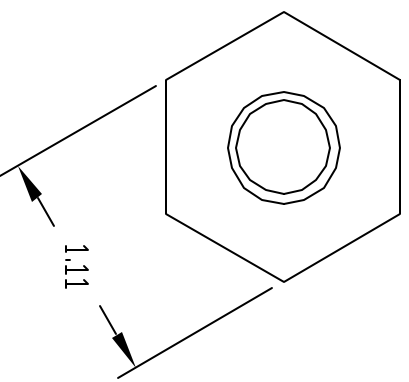
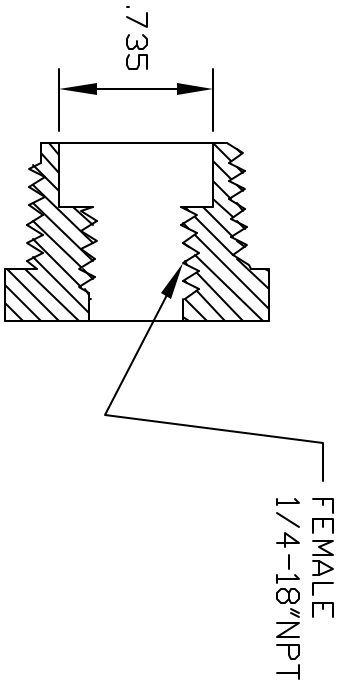
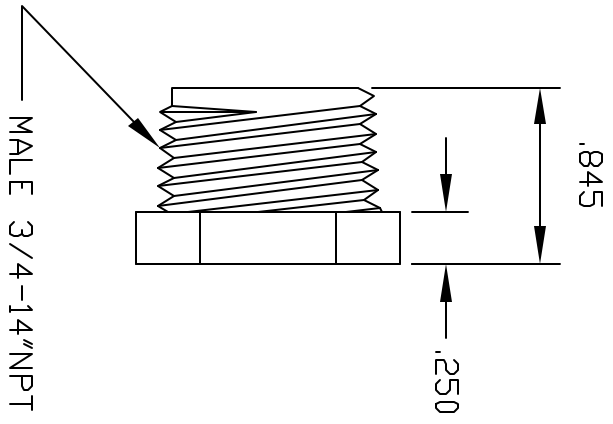


REV	DESCRIPTION	DATE	APPROVED
A	DRAWN	05/02	05/02
B	UPDATE DWG	9/07	9/07



CONTROLLED DOCUMENT
ONLY IF IN RED

CONFIDENTIAL
THIS PRINT AND THE SPECIFICATIONS ARE THE PROPERTY OF THOGUS PRODUCTS COMPANY AND HAVE BEEN ISSUED WITH THE UNDERSTANDING THAT IT WILL NOT BE REPRODUCED, REVEALED TO OR USED FOR THE MANUFACTURE FOR OTHERS AND WILL BE RETURNED UPON REQUEST.

UNLESS OTHERWISE SPECIFIED DIMENSIONS ARE IN INCHES	
TOLERANCES	DECIMALS
ANGULAR	XX +/- .05
	XXX +/- .015
DRAWN	DATE
BM	4/02
TERMINOLOGY	TRB3414PPB
MATERIAL	POLYPROPYLENE BLACK

PART NAME:	3/4NPT MALE X 1/4NPT FEMALE REDUCER BUSHING
THOGUS PRODUCTS	33450 PIN OAK PARKWAY AVON LAKE OHIO 44012
PART NUMBER	TRB3414/PPB
REV	B
SHEET	1 OF 1