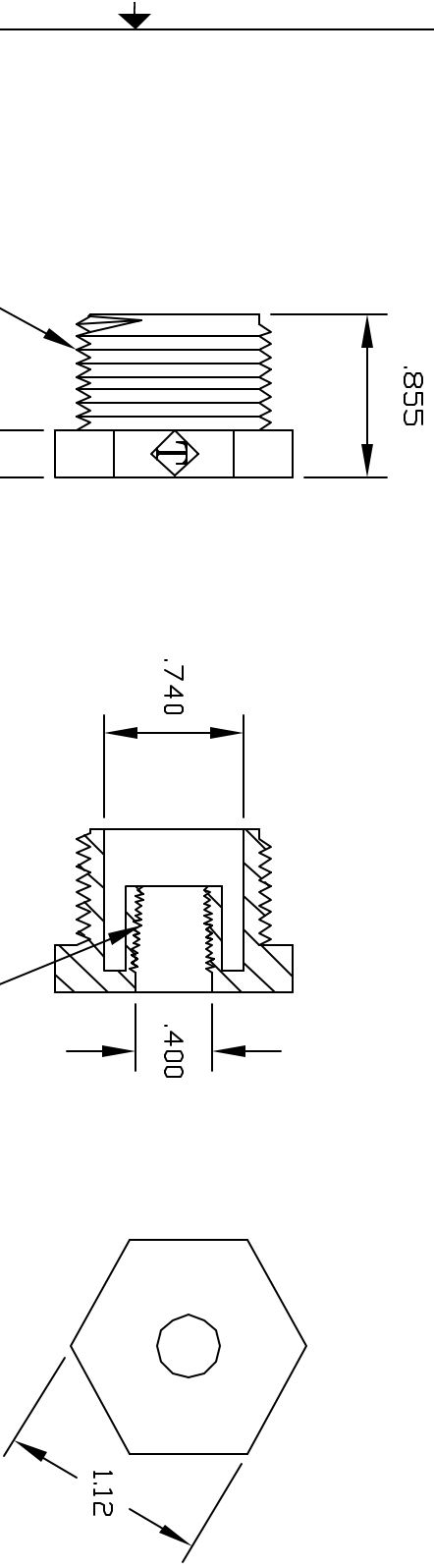


REVISIONS			
REV	DESCRIPTION	DATE	APPROVED
A	DRAWN	03/03	
B	UPDATE DWG	9/07	9/07



MALE 3/4NPT

FEMALE 1/8NPT

CONTROLLED DOCUMENT
ONLY IF IN RED

CONFORMANT
THIS PRINT AND THE SPECIFICATIONS ARE THE PROPERTY OF THOGUS PRODUCTS COMPANY AND HAVE BEEN ISSUED WITH THE UNDERSTANDING THAT REUSE OF THE INFORMATION REVEALED AND THE DESIGN THEREOF IN ANY MANNER FOR OTHERS AND WILL BE RETURNED UPON REQUEST. Ⓢ

UNLESS OTHERWISE SPECIFIED DIMENSIONS ARE IN INCHES	SECTION TOLERANCES	XX +/- .05	YY +/- .05	ZZ +/- .05
DRAWN	BM			
MATERIAL	TRB3418PPB			
POLYPROPYLENE BLACK				
Part Name	3/4NPT MALE X 1/8NPT FEMALE REDUCER BUSHING	Part Number	TRB3418/PPB	REV B
THOGUS PRODUCTS		33490 PIN OAK PARKWAY AVON LAKE OHIO 44012		
		SHEET 1	of 1	1