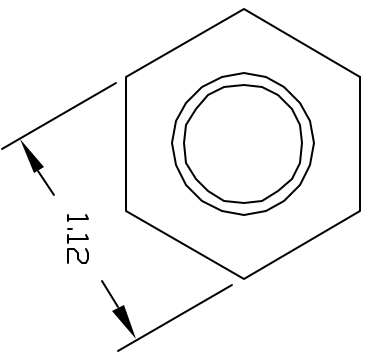
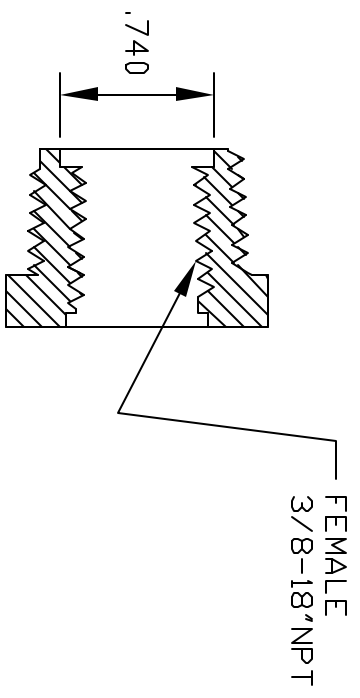
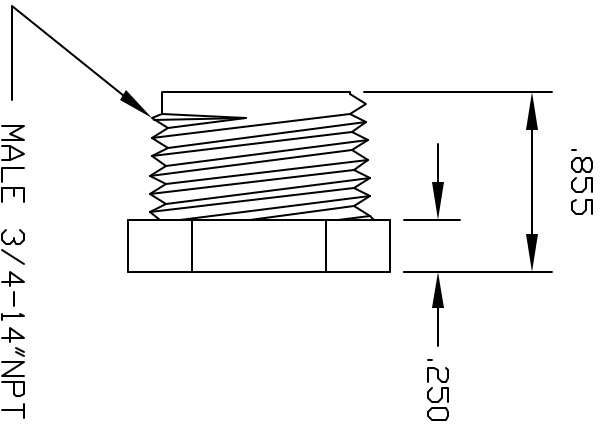


REV	DESCRIPTION	DATE	APPROVED
A	DRAWN	05/02	05/02
B	UPDATE DWG	9/07	9/07



CONTROLLED DOCUMENT  
ONLY IF IN RED

<p>UNLESS OTHERWISE SPECIFIED DIMENSIONS ARE IN INCHES DECIMALS ARE TO THE NEAREST XX THOUSANDS XX.XX ±.015</p>		<p>THIS FRONT AND THE SPECIFICATIONS ARE THE PROPERTY OF THOGUS PRODUCTS COMPANY AND HAVE BEEN ISSUED WITH THE UNDERSTANDING THAT IT WILL NOT BE REPRODUCED, REVEALED TO OR USED FOR THE MANUFACTURE FOR OTHERS AND WILL BE RETURNED UPON REQUEST.</p>	
DRAWN	DATE	PART NAME: 3/4NPT MALE X 3/8NPT FEMALE	
BM	5/02	REDUCER BUSHING	
TRB3438N		THOGUS 33490 PIN OAK PARKWAY	
NYLON		PRODUCTS AVIDN LAKE OHIO 44012	
		PART NUMBER	REV
		TRB3438/N	B
		SHEET 1	OF 1