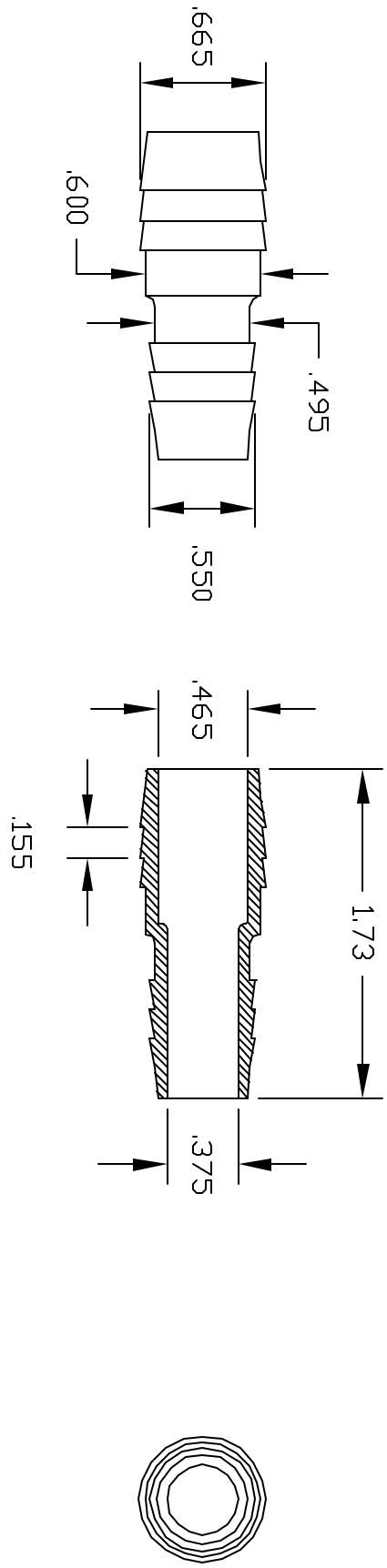


REVISIONS			
REV	DESCRIPTION	DATE	APPROVED
A	REDRAWN & RELEASED	2/97	2/97
B	MODIFIED BARBS	03/01/00	BM
C	UPDATE DWG	9/07	9/07



UNLESS OTHERWISE SPECIFIED DIMENSIONS ARE IN INCHES		PART NAME: 5/8 BARB X 1/2 BARB REDUCER CONNECTOR	
DECIMALS XXX	TOLERANCES ANGULAR ±.03	THOGUS PRODUCTS 33597 PIN OAK PARKWAY AVON LAKE OHIO 44012	
DRAWN BM	DATE	Part Number TRC80108/N	REV C
FILENAME 80108N			
MATERIAL NYLON			

CONTROLLED DOCUMENT  
ONLY IF IN RED

CONFIDENTIAL  
THIS PRINT AND THE SPECIFICATIONS  
HEREON ARE THE PROPERTY OF THOGUS  
PRODUCTS COMPANY AND HAVE BEEN  
ISSUED WITH THE UNDERSTANDING THAT  
IT WILL NOT BE REPRODUCED,  
REVEALED TO OR USED FOR THE  
MANUFACTURE FOR OTHERS AND WILL  
BE RETURNED UPON REQUEST.