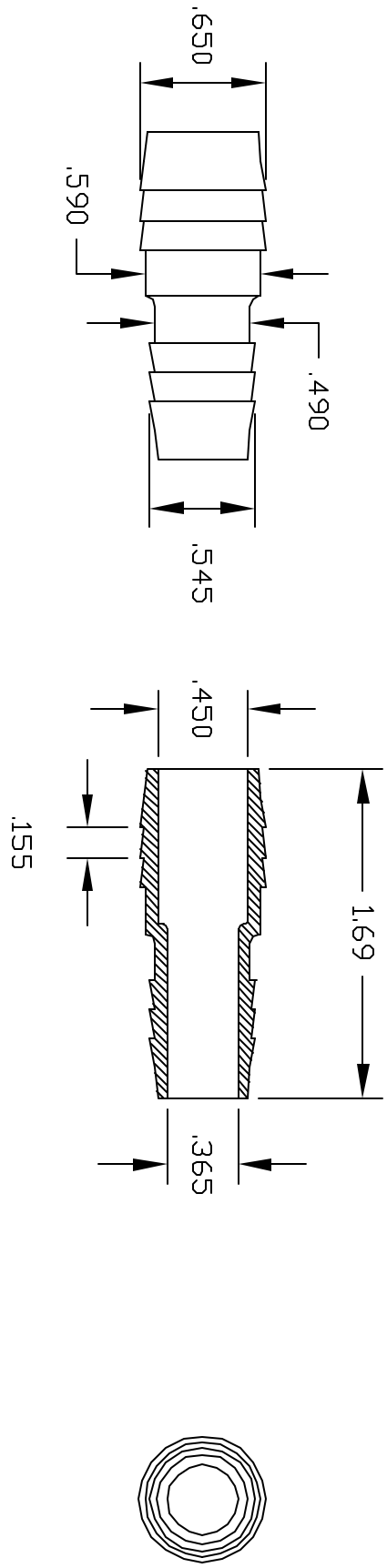


REVISIONS			
REV	DESCRIPTION	DATE	APPROVED
A	REDRAWN & RELEASED	2/97	2/97
B	MODIFIED BARBS	03/01/00	BM
C	UPDATE DWG	9/07	9/07



UNLESS OTHERWISE SPECIFIED DIMENSIONS ARE IN INCHES DECIMALS ANGLE XXX .XX .010		PART NAME: 5/8 BARB X 1/2 BARB REDUCER CONNECTOR	
DRAWN BM	DATE	Part Name THOGUS 33597 PIN OAK PARKWAY PRODUCTS A/V/DN LAKE OHIO 44012	
MATERIAL POLYETHYLENE		Part Number TRC80108/P	REV C

THIS PRINT AND THE SPECIFICATIONS
 ARE THE PROPERTY OF THOGUS
 PRODUCTS COMPANY AND HAVE BEEN
 ISSUED WITH THE UNDERSTANDING THAT
 IT WILL NOT BE REPRODUCED,
 REVEALED TO OR USED FOR THE
 MANUFACTURE FOR OTHERS AND WILL
 BE RETURNED UPON REQUEST.

CONTROLLED DOCUMENT
ONLY IF IN RED