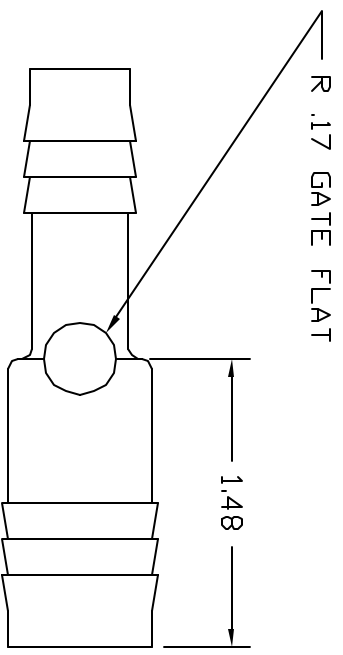
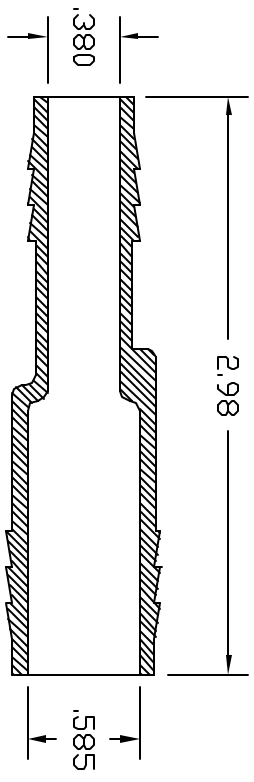
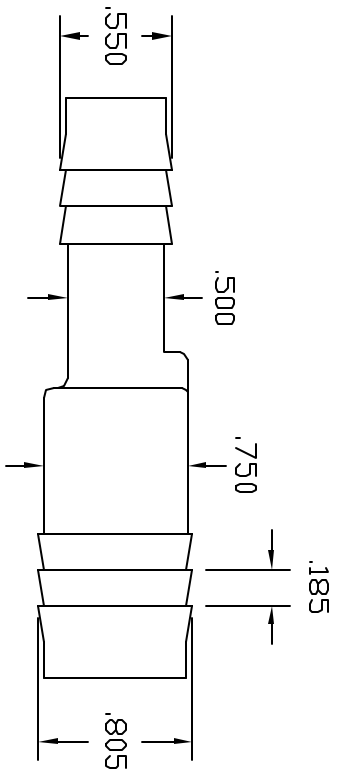


REVISIONS			
REV	DESCRIPTION	DATE	APPROVED
B	GATE PAD RAISED, ADD EJECTOR LOCATION	12/98	12/98
C	UPDATE DWG	9/07	9/07



CONTROLLED DOCUMENT  
ONLY IF IN RED

**CONFIDENTIAL**  
THIS PRINT AND THE SPECIFICATIONS ARE THE PROPERTY OF THOGUS PRODUCTS COMPANY AND HAVE BEEN ISSUED WITH THE UNDERSTANDING THAT IT IS TO BE USED FOR THE MANUFACTURE OF THE PARTS AND WILL BE RETURNED UPON REQUEST.

UNLESS OTHERWISE SPECIFIED DIMENSIONS ARE IN INCHES		TOLERANCES UNLESS INDICATED	
XX	+/- .05	XX	+/- .05
XXX	+/- .015	XXX	+/- .015
DRAWN	DATE	DRAWN	DATE
NM	6/7/98	NM	6/7/98
MATERIAL		MATERIAL	
POLYPROPYLENE		POLYPROPYLENE	
Part Name:		Part Name:	
3/4 BARB X 1/2 BARB REDUCER CONNECTOR		3/4 BARB X 1/2 BARB REDUCER CONNECTOR	
THOGUS PRODUCTS		THOGUS PRODUCTS	
33490 PIN OAK PARKWAY		33490 PIN OAK PARKWAY	
AVON LAKE OHIO 44012		AVON LAKE OHIO 44012	
TRC80128/PP	REV	TRC80128/PP	REV
SHEET 1	OF 1	SHEET 1	OF 1

COLOR: BLACK (PPB)  
NATURAL (PPN)