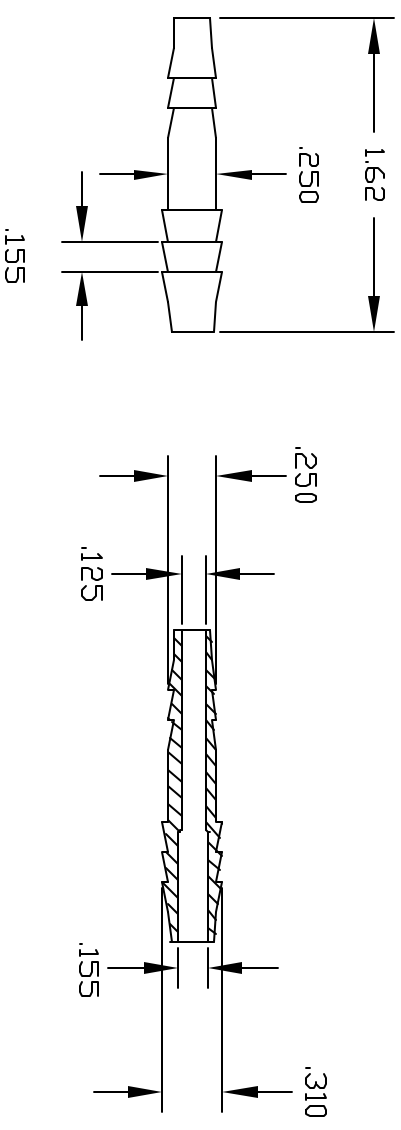


REVISIONS			
REV	DESCRIPTION	DATE	APPROVED
A	REDRAWN & RELEASED	8/00	8/00
B	MODIFY BARBS	8/02	8/02
C	.250 WAS .187	9/03	9/03
D	UPDATE DWG	9/07	9/07



CONTROLLED DOCUMENT
ONLY IF IN RED

CONFIDENTIAL
THIS PRINT AND THE SPECIFICATIONS ARE THE PROPERTY OF THOGUS PRODUCTS COMPANY AND HAVE BEEN ISSUED WITH THE UNDERSTANDING THAT IT IS TO BE KEPT FOR THE USE OF THE MANUFACTURER FOR OTHERS AND WILL BE RETURNED UPON REQUEST.

UNLESS OTHERWISE SPECIFIED DIMENSIONS ARE IN INCHES		Part Name	
DRAWN BY: BM		1/4 BARB X 3/16 BARB REDUCER CONNECTOR	
CHECKED BY: 11-05		THOGUS PRODUCTS	
DATE: 11-05		33490 PIN OAK PARKWAY	
MATERIAL: NYLON		AYDON LAKE OHIO 44012	
Part Number: TRC-8043/N		REV: D	
SHEET 1 of 1			