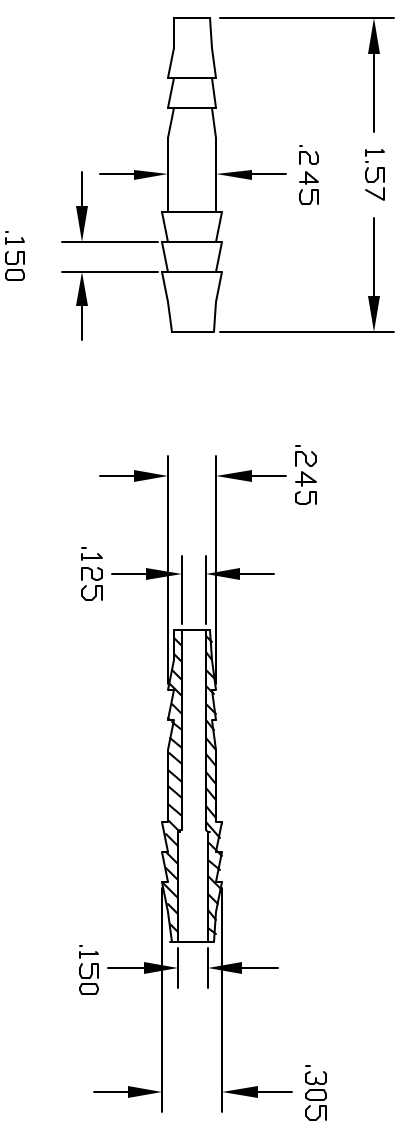


REVISIONS			
REV	DESCRIPTION	DATE	APPROVED
A	REDRAWN & RELEASED	8/00	8/00
B	MODIFY BARBS	8/02	8/02
C	.250 WAS .187	9/03	9/03
D	UPDATE DWG	9/07	9/07



CONTROLLED DOCUMENT
ONLY IF IN RED

CONFIDENTIAL
THIS PRINT AND THE SPECIFICATIONS ARE THE PROPERTY OF THOGUS PRODUCTS COMPANY AND HAVE BEEN ISSUED WITH THE UNDERSTANDING THAT THE USER SHALL BE RESPONSIBLE FOR THE MANUFACTURE FOR OTHERS AND WILL BE RETURNED UPON REQUEST.

UNLESS OTHERWISE SPECIFIED DIMENSIONS ARE IN INCHES		Part Name	
DECIMAL FRACTIONS	1/16	1/4 BARB X 3/16 BARB REDUCER CONNECTOR	
XX +/- .05	1/32	THOGUS 33490 PIN DAK PARKWAY	
XXX +/- .015	1/64	AYDON LAKE OHIO 44012	
XXXX +/- .015	1/128	REV	
DRAWN	BM	Part Number	TRC8043/P
DESIGNED	8043P	MATERIAL	POLYETHYLENE
DATE	11/05	SHEET 1 of 1	