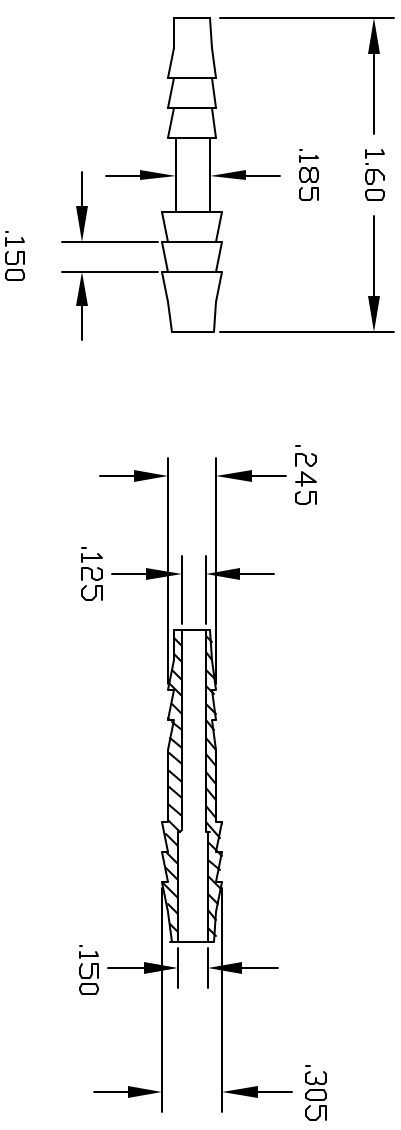


REVISIONS			
REV	DESCRIPTION	DATE	APPROVED
A	REDRAWN & RELEASED	8/00	8/00
B	MODIFY BARBS	8/02	8/02
C	.250 WAS .187	9/03	9/03
D	UPDATE DWG	9/07	9/07



COLOR: BLACK (PPB)

NATURAL (PPN)

UNLESS OTHERWISE SPECIFIED DIMENSIONS ARE IN INCHES		Part Name:	
DECIMAL FRACTIONS XX +/- .05	XX +/- .05	1/4 BARB X 3/16 BARB REDUCER CONNECTOR	
XXX +/- .015	XX +/- .05	THOGUS 33490 PIN DAK PARKWAY PRODUCTS AYOON LAKE OHIO 44012	
DRAWN BM	DESIGNED 8043PP	Part Number:	REV
MATERIAL POLYPROPYLENE	8043PP	TRC8043/PP	D
		SHEET 1	of 1

CONFIDENTIAL
THIS PRINT AND THE SPECIFICATIONS ARE THE PROPERTY OF THOGUS PRODUCTS COMPANY AND HAVE BEEN ISSUED WITH THE UNDERSTANDING THAT REVEALING THE DESIGN FOR THE MANUFACTURE FOR OTHERS AND WILL BE RETURNED UPON REQUEST.

CONTROLLED DOCUMENT
ONLY IF IN RED