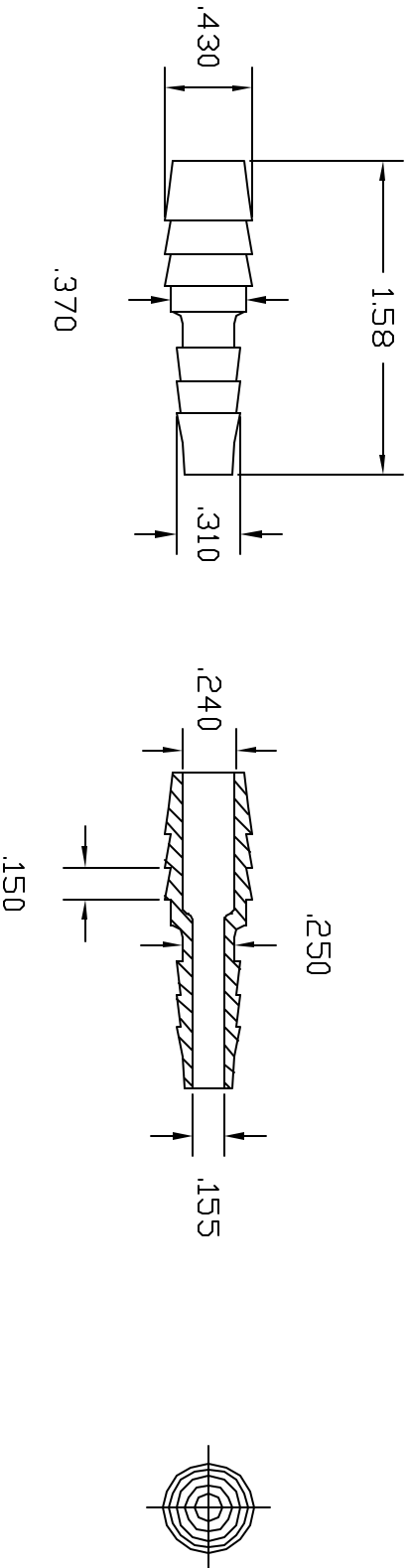


REV	DESCRIPTION	DATE	APPROVED
A	REDRAWN & RELEASED	9/99	9/99
B	MODIFID BARBS	12/23/99	BM
C	UPDATE DWG	9/07	9/07



CONTROLLED DOCUMENT
ONLY IF IN RED

CONFIDENTIAL
THIS PRINT AND THE SPECIFICATIONS ARE THE PROPERTY OF THOGUS PRODUCTS COMPANY AND HAVE BEEN ISSUED WITH THE UNDERSTANDING THAT IT WILL NOT BE REPRODUCED, THE MANUFACTURE FOR OTHERS AND WILL BE RETURNED UPON REQUEST. ☐

UNLESS OTHERWISE SPECIFIED DIMENSIONS ARE IN INCHES		PART NAME:	
DECIMALS	TOLERANCES	3/8 BARB X 1/4 BARB REDUCER CONNECTOR	
XX +/- .05	ANGULAR	THOGUS 33490 PIN DAK PARKWAY	
XXX +/- .015		AVON LAKE OHIO 44012	
DRAWN	DATE	PART NUMBER	REV
BM	12/99	TRC8064/P	C
TITLE: 8064P		SHEET 1 OF 1	
MATERIAL: POLYETHYLENE			