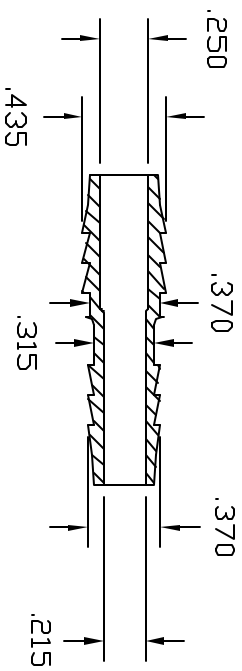
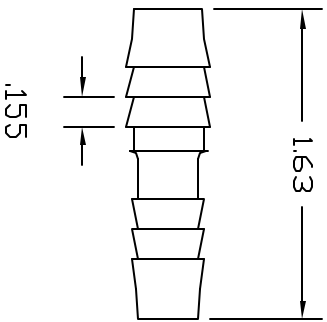


REVISIONS			
REV	DESCRIPTION	DATE	APPROVED
A	REDRAWN & RELEASED	10/97	10/97
B	MODIFY BARBS	11/02	11/02
C	UPDATE DWG	9/07	9/07



CONSEQUENTIAL
THIS PRINT AND THE SPECIFICATIONS
ARE THE PROPERTY OF THOGUS
PRODUCTS COMPANY AND HAVE BEEN
ISSUED WITH THE UNDERSTANDING THAT
THEY ARE TO BE USED FOR THE
MANUFACTURE OF THE PARTS AND WILL
BE RETURNED UPON REQUEST.

UNLESS OTHERWISE SPECIFIED DIMENSIONS ARE IN INCHES	
DRAWN	NM
CHECKED	
DATE	10/97
MATERIAL	NYLON

Part Name	3/8 BARB X 5/16 BARB	REDUCER CONNECTOR
Part Number	TRC8065/N	REV C
THOGUS PRODUCTS	33490 PIN DAK PARKWAY	
	AVON LAKE OHIO 44012	
SHEET 1	of 1	

CONTROLLED DOCUMENT
ONLY IF IN RED