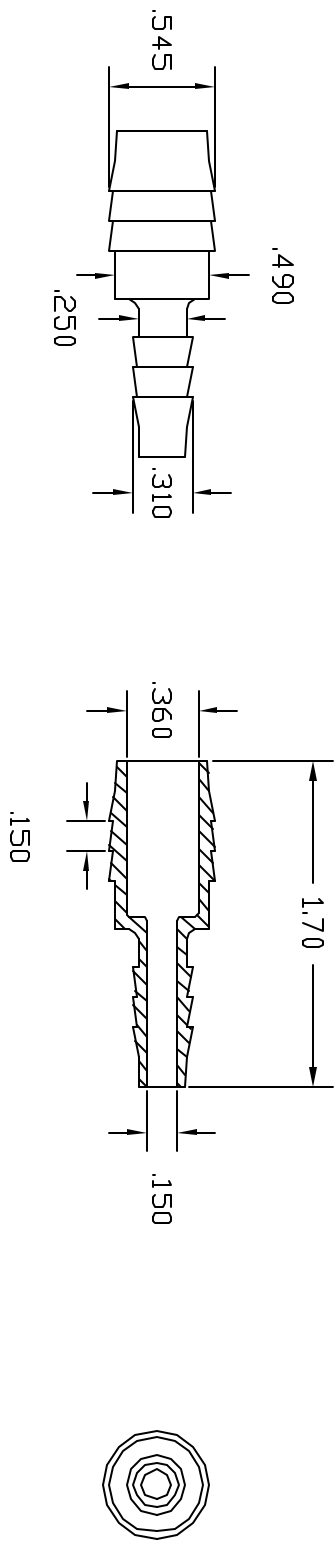


REVISIONS			
REV	DESCRIPTION	DATE	APPROVED
A	REDRAWN & RELEASED	5/98	5/98
B	REVISED BARBS	8/00	8/00
C	UPDATE DWG	8/00	8/00



UNLESS OTHERWISE SPECIFIED DIMENSIONS ARE IN INCHES		Part Name:	
TOLERANCES UNLESS SHOWN		1/2 BARB X 1/4 BARB REDUCER CONNECTOR	
XX +/- .05	YY .05	THOGUS PRODUCTS 33490 PIN DAK PARKWAY AYDON LAKE OHIO 44012	
XXX +/- .015	ZZ .015	Part Number:	TRC8084/P
DRAWN	NM	DATE	5/98
CHECKED		MATERIAL	POLYETHYLENE
THIS PRINT AND THE SPECIFICATIONS ARE THE PROPERTY OF THOGUS PRODUCTS COMPANY AND HAVE BEEN ISSUED WITH THE UNDERSTANDING THAT THE USER WILL BE RESPONSIBLE FOR THE MANUFACTURE FOR OTHERS AND WILL BE RETURNED UPON REQUEST.		REV	C
CONTROLLED DOCUMENT ONLY IF IN RED		SHEET	1 of 1