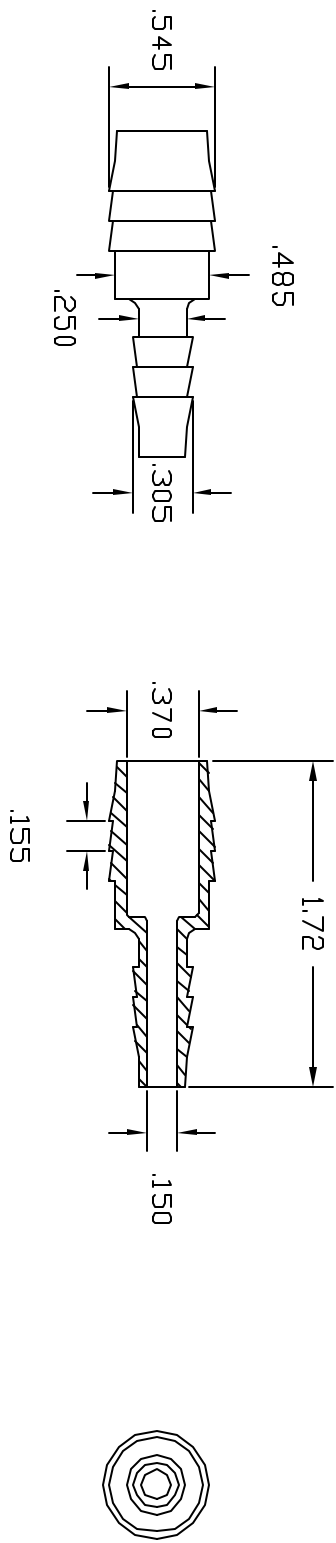


REVISIONS			
REV	DESCRIPTION	DATE	APPROVED
A	REDRAWN & RELEASED	5/98	5/98
B	REVISED BARBS	8/00	8/00
C	UPDATE DWG	8/00	8/00



COLOR: BLACK (PPB)
 NATURAL (PPN)

UNLESS OTHERWISE SPECIFIED DIMENSIONS ARE IN INCHES		TOLERANCES	
XXX	+/- .05	XX	+/- .05
XXX	+/- .015	XX	+/- .015
DRAWN	NM	DATE	5/98
CHECKED			
MATERIAL	POLYPROPYLENE		
Part Name	1/2 BARB X 1/4 BARB REDUCER CONNECTOR		
Part Number	TRC8084/PP		
REV	C		
	SHEET	1	of 1

CONFIDENTIAL
 THIS PRINT AND THE SPECIFICATIONS ARE THE PROPERTY OF THOGUS PRODUCTS COMPANY AND HAVE BEEN ISSUED WITH THE UNDERSTANDING THAT IT IS NOT TO BE REPRODUCED OR TRANSMITTED IN ANY FORM OR BY ANY MEANS, ELECTRONIC OR MECHANICAL, INCLUDING PHOTOCOPYING, RECORDING, OR BY ANY INFORMATION STORAGE AND RETRIEVAL SYSTEM, WITHOUT THE WRITTEN PERMISSION OF THOGUS PRODUCTS COMPANY. THIS DRAWING IS THE PROPERTY OF THOGUS PRODUCTS COMPANY AND WILL BE RETURNED UPON REQUEST.

CONTROLLED DOCUMENT
 ONLY IF IN RED