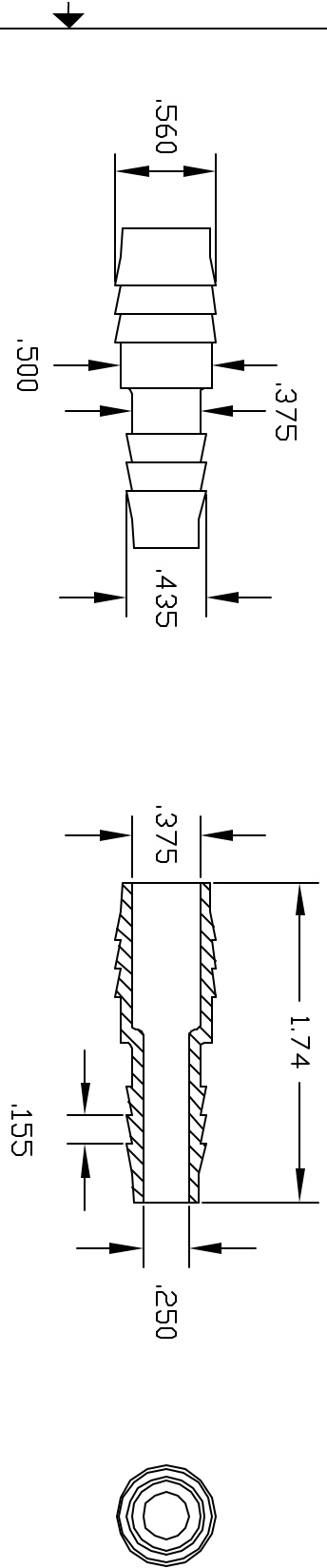


REVISIONS			
REV	DESCRIPTION	DATE	APPROVED
A	REDRAWN & RELEASED	4/97	4/97
B	MODIFIED BARBS	9/00	BM
C	UPDATE DWG	9/07	9/07



CONDONATIONAL
 THIS PRINT AND THE SPECIFICATIONS ARE THE PROPERTY OF THOGUS PRODUCTS COMPANY AND HAVE BEEN ISSUED WITH THE UNDERSTANDING THAT THE USER IS TO BE RESPONSIBLE FOR THE MANUFACTURE FOR OTHERS AND WILL BE RETURNED UPON REQUEST.

UNLESS OTHERWISE SPECIFIED DIMENSIONS ARE IN INCHES		Part Name:	
DECIMAL FRACTIONS	1/16	1/2 BARB X 3/8 BARB REDUCER CONNECTOR	
XX +/- .05	1/4	THOGUS PRODUCTS 33490 PIN DAK PARKWAY	
XXX +/- .015	1/2	AYDN LAKE OHIO 44012	
DRAWN	BM	Part Number	TRC8086/N
FINISHED	8086N	REV	C
MATERIAL	NYLON	SHEET	1 of 1

CONTROLLED DOCUMENT
 ONLY IF IN RED