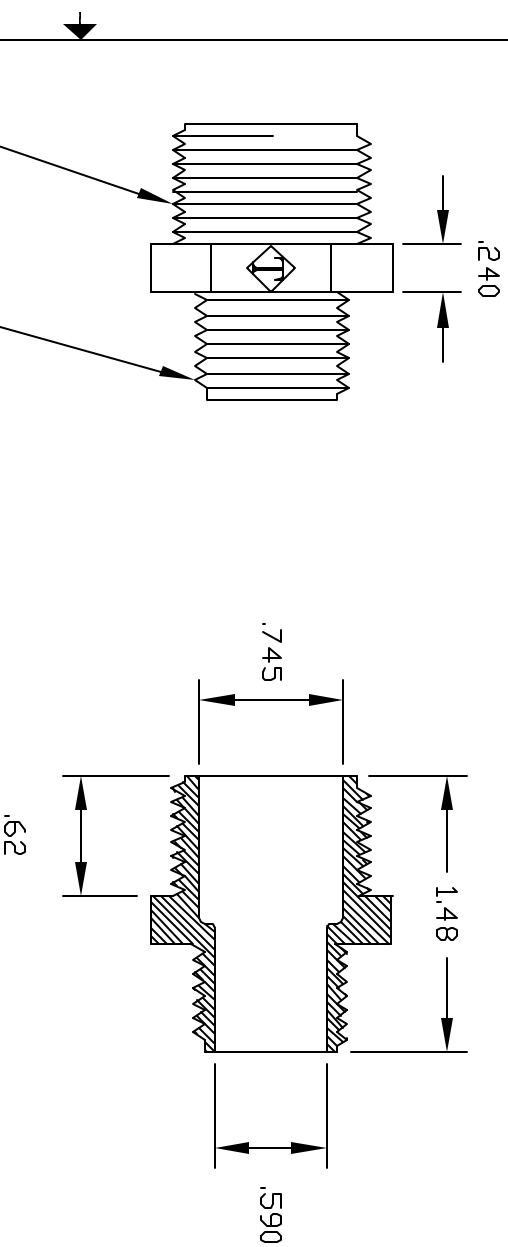


REVISIONS			
REV	DESCRIPTION	DATE	APPROVED
A	REDRAWN & RELEASED	4/98	4/98
B	UPDATE DWG	9/07	9/07



MALE 1/2" NPT

MALE 3/4" NPT

CONTROLLED DOCUMENT
ONLY IF IN RED

CONFIDENTIAL
THIS PRINT AND THE SPECIFICATIONS ARE THE PROPERTY OF THOGUS PRODUCTS COMPANY AND HAVE BEEN ISSUED WITH THE UNDERSTANDING THAT IT IS TO BE KEPT FOR THE MANUFACTURE OF THIS PART AND WILL BE RETURNED UPON REQUEST.

UNLESS OTHERWISE SPECIFIED DIMENSIONS ARE IN INCHES		TOLERANCES UNLESS SHOWN	
XX	+/- .05	YY	+/- .05
XXX	+/- .015		
DRAWN	NM	DATE	4/98
DESIGNED			
PART NUMBER	TRN60128/N		
MATERIAL	NYLON		
Part Name	3/4NPT X 1/2NPT REDUCER NIPPLE	Part Number	TRN60128/N
THOGUS PRODUCTS		33490 PIN DAK PARKWAY AVON LAKE OHIO 44012	
SHEET	1	of	1
REV	B		

ALL DIMENSIONS ARE TO CENTER UNLESS OTHERWISE NOTED