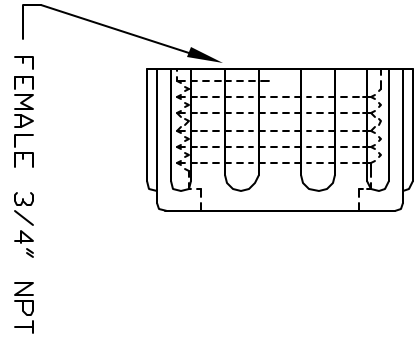
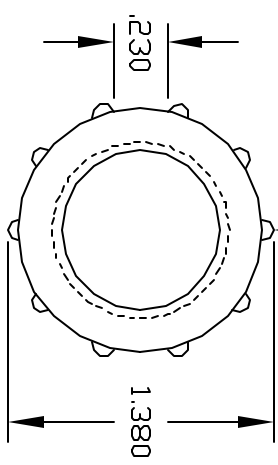
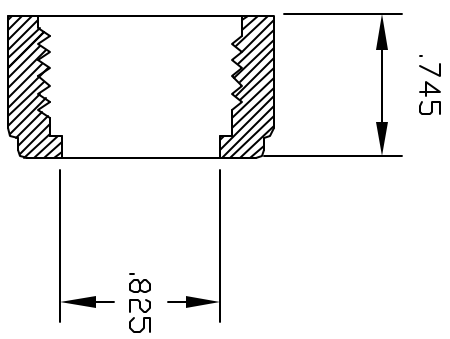


REVISIONS			
REV	DESCRIPTION	DATE	APPROVED
A	REDRAWN & RELEASED	1/98	1/98
B	UPDATE DWG	9/07	9/07



CONTROLLED DOCUMENT
ONLY IF IN RED

.825Ø DOES NOT MATE WITH
THOGUS GHA SERIES HOSE BARB
INSERTS DUE TO PIPE THREAD TAPER

CONFIDENTIAL
THIS PRINT AND THE SPECIFICATIONS ARE THE PROPERTY OF THOGUS PRODUCTS COMPANY AND HAVE BEEN ISSUED WITH THE UNDERSTANDING THAT IT IS TO BE USED FOR THE MANUFACTURE OF THIS PART AND WILL BE RETURNED UPON REQUEST.

UNLESS OTHERWISE SPECIFIED DIMENSIONS ARE IN INCHES		Part Name:	
DECIMALS	ANGULAR	3/4NPT FEMALE RIBBED NUT	
.XX +/- .05	± .05	THOGUS 33597 PIN DAK PARKWAY	
.XXX +/- .003		AYDON LAKE OHIO 44012	
DRAWN	DATE	Part Number	REV
NM	1/98	RN12/N	B
MATERIAL			
NYLON			
SHEET 1 of 1			