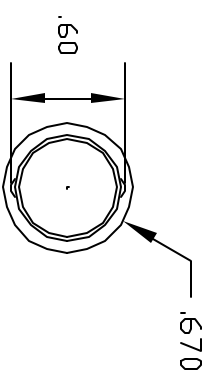
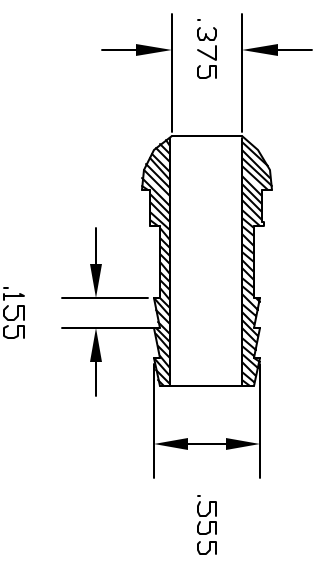
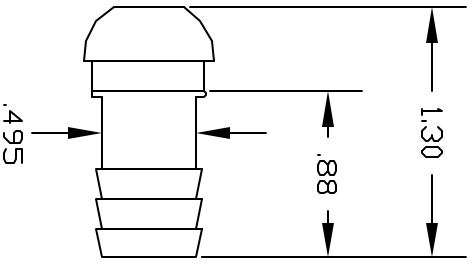


REVISIONS			
REV	DESCRIPTION	DATE	APPROVED
A	DRAWN AND RELEASE	1/98	
B	UPDATE DWG	9/07	9/07



TO MAKE WITH THOGUS PART NUMBER  
SN8/N, 1/2" NPT FEMALE NUT

CONTROLLED DOCUMENT  
ONLY IF IN RED

UNLESS OTHERWISE SPECIFIED DIMENSIONS ARE IN INCHES TOLERANCES ARE: DECIMALS .005 FRACTIONS .015 ANGLES .015		Part Name 1/2 BARB SWIVEL NUT ADAPTER INSERT	
DRAWN NIM	DATE 1/98	THOGUS PRODUCTS 33490 PIN DAK PARKWAY AVON LAKE OHIO 44012	
MATERIAL NYLON	Part Number SNAB/N	SHEET 1	of 1
		REV B	