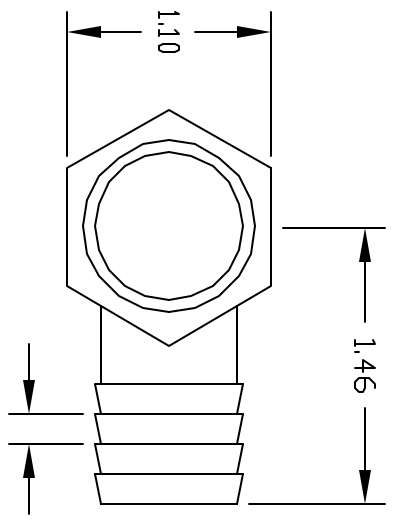
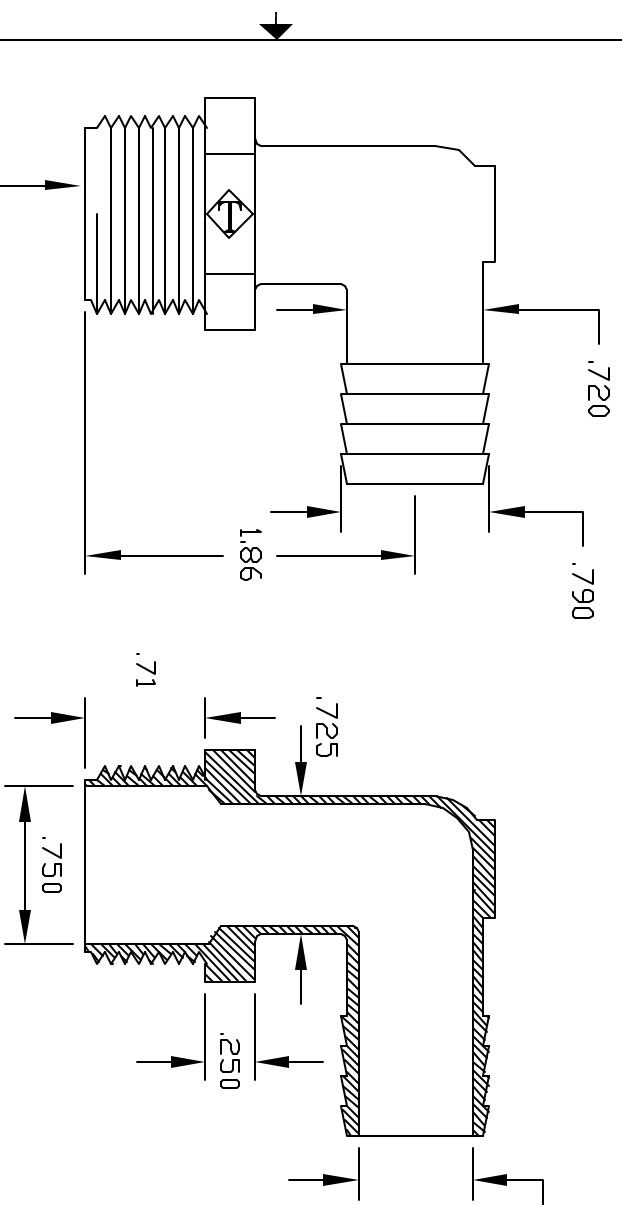


REVISIONS				
ZONE	REV	DESCRIPTION	DATE	APPROVED
	A	DRAWN & RELEASED	2/98	2/98
	B	GATE PAD ADDED	6/98	6/98
	C	.740 WAS .725 .725 REMOVED .820 WAS .805 .250 WAS .25 1.130 WAS 1.13	1/00	BM



3/4" NPT

CONTROLLED DOCUMENT
ONLY IF IN RED

CONFIDENTIAL
THIS PRINT AND THE SPECIFICATIONS ARE THE PROPERTY OF THOGUS PRODUCTS COMPANY AND HAVE BEEN ISSUED WITH THE UNDERSTANDING THAT IT IS TO BE KEPT FOR THE USE OF THE MANUFACTURE FOR OTHERS AND WILL BE RETURNED UPON REQUEST.

UNLESS OTHERWISE SPECIFIED DIMENSIONS ARE IN INCHES		TOLERANCES	
XX	+/- .05	YY	+/- .05
XXX	+/- .015		
DRAWN	NM	DATE	
DESIGNED	201212P		
MATERIAL	POLYETHYLENE		
Part Name	3/4NPT X 3/4 BARB ELBOW	Part Number	TE201212/P
THOGUS PRODUCTS		33490 PIN DAK PARKWAY AVON LAKE OHIO 44012	
SCALE		SHEET	1 of 1
REV	C		