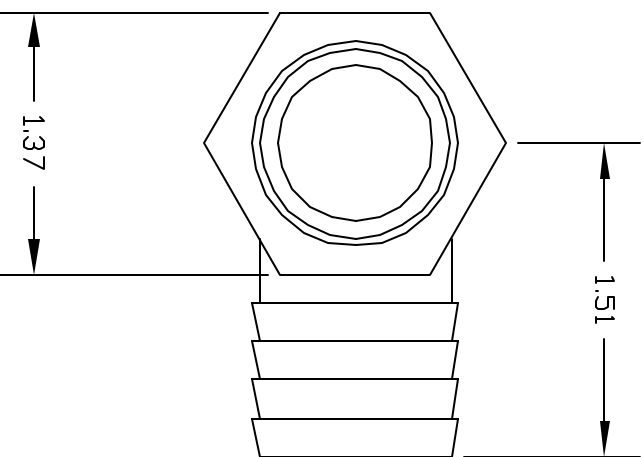
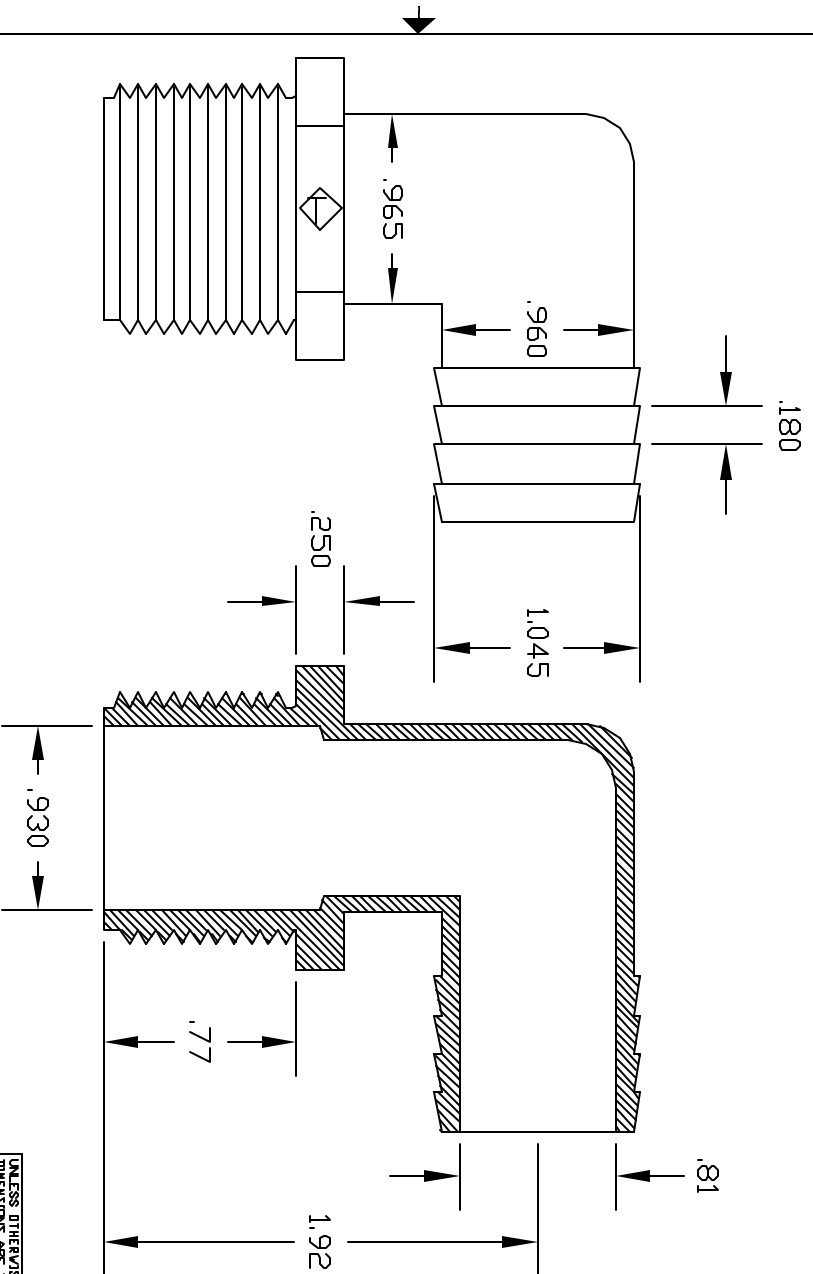


REVISIONS			
REV	DESCRIPTION	DATE	APPROVED
A	REDRAWN & RELEASED	5/98	5/98
B	GATE PAD ADDED	9/98	9/98



CONTROLLED DOCUMENT  
ONLY IF IN RED

THIS PRINT AND THE SPECIFICATIONS ARE THE PROPERTY OF THOGUS PRODUCTS COMPANY AND HAVE BEEN ISSUED WITH THE UNDERSTANDING THAT REVISIONS WILL BE MADE AS NECESSARY AND WILL BE RETURNED UPON REQUEST.

UNLESS OTHERWISE SPECIFIED DIMENSIONS ARE IN INCHES		Part Name	
DECIMAL FRACTIONS	1/16	INPT X 1 BARB ELBDW	
XX +/- .05	1/32		
XXX +/- .015	1/64		
DRAWN	NM	Part Number	
DATE	201616P	TE201616/P	
MATERIAL	POLYETHYLENE	SCALE	1/1
THOGUS PRODUCTS		SHEET 1 of 1	
33490 PIN DAK PARKWAY		REV B	
AYDON LAKE OHIO 44012			