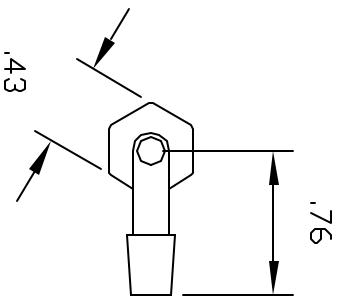
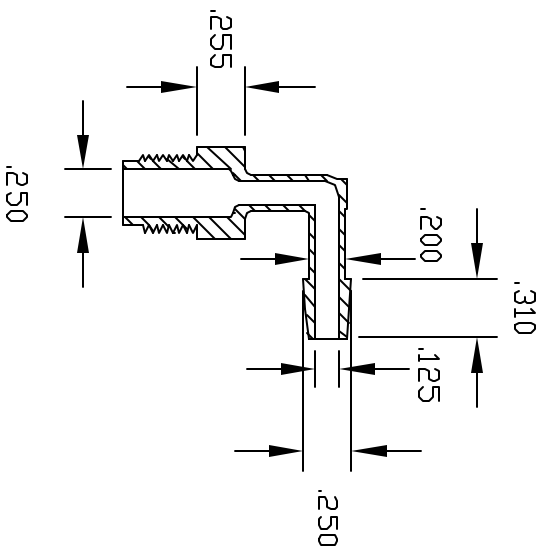
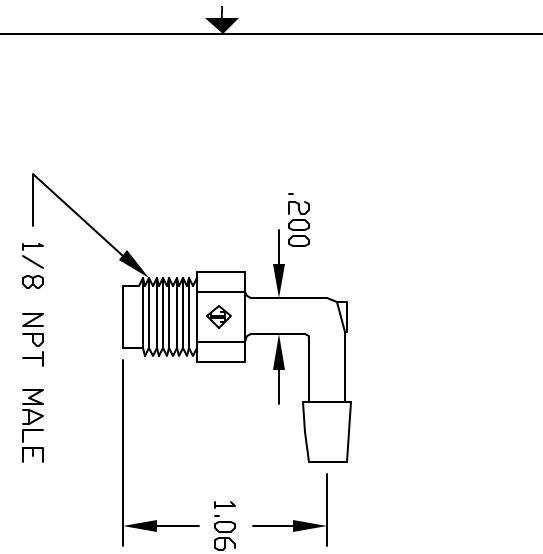


REVISIONS			
REV	DESCRIPTION	DATE	APPROVED
A	REDRAWN & RELEASED	11/97	11/97
B	MODIFY BARBS	05/03	05/03



CONTROLLED DOCUMENT
ONLY IF IN RED

CONFIDENTIAL
THIS PRINT AND THE SPECIFICATIONS ARE THE PROPERTY OF THOGUS PRODUCTS COMPANY AND HAVE BEEN ISSUED WITH THE UNDERSTANDING THAT IT IS TO BE KEPT FOR THE USE OF THE MANUFACTURER FOR OTHERS AND WILL BE RETURNED UPON REQUEST.

UNLESS OTHERWISE SPECIFIED DIMENSIONS ARE IN INCHES		Part Name	
DECIMAL FRACTIONS XX +/- .05	FRACTIONS XX +/- .05	1/8NPT X 3/16 BARBED ELBOW	
XXX +/- .05	XX +/- .05	Part Number	REV
DATE	DATE	TE2023/N	B
DRAWN	DATE	SCALE	SHEET
NM	11/97	1:1	1 of 1
THOGUS PRODUCTS	33490 PIN DAK PARKWAY		
AYDON LAKE OHIO	44012		