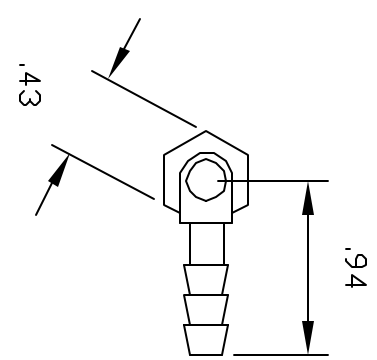
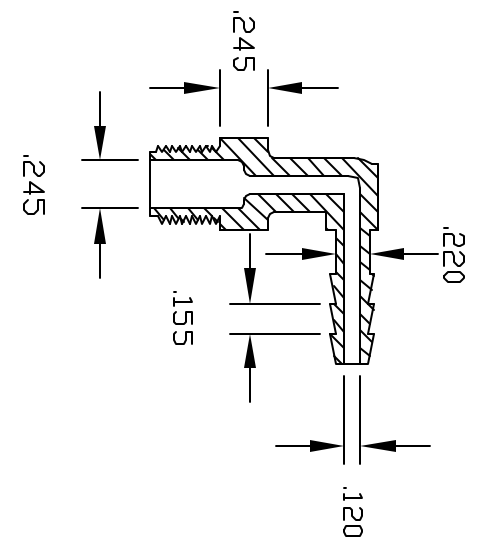
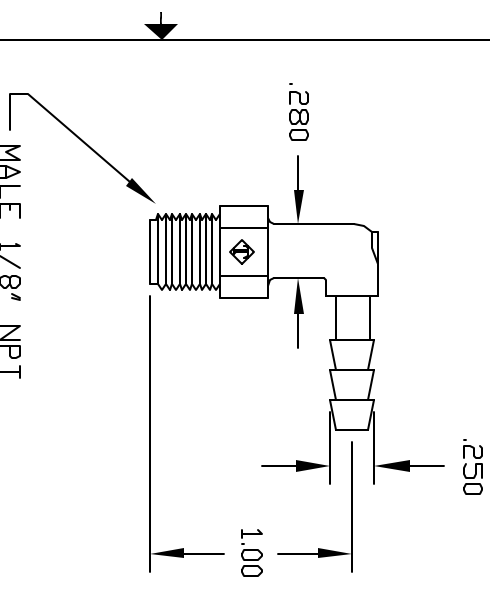


REVISIONS			
REV	DESCRIPTION	DATE	APPROVED
A	REDRAWN & RELEASED	11/97	11/97
B	MODIFY CONSTRUCTION	11/97	11/97



CONTROLLED DOCUMENT
ONLY IF IN RED

CONFIDENTIAL
THIS PRINT AND THE SPECIFICATIONS ARE THE PROPERTY OF THOGUS PRODUCTS COMPANY AND HAVE BEEN ISSUED WITH THE UNDERSTANDING THAT IT IS NOT TO BE REPRODUCED, COPIED, REVISED OR USED FOR THE MANUFACTURE OF OTHERS AND WILL BE RETURNED UPON REQUEST.

UNLESS OTHERWISE SPECIFIED DIMENSIONS ARE IN INCHES		TOLERANCES	
DRAWN		XX	+/-.05
CHECKED		XX	+/-.05
DATE		XX	+/-.05
MATERIAL		POLYETHYLENE	
PART NAME:		1/8 NPT X 3/16 BARB ELBOW	
PART NUMBER:		TE2023/P	
THOGUS PRODUCTS		33490 PIN DAK PARKWAY AYDON LAKE OHIO 44012	
SCALE		1:1	
SHEET		1 of 1	