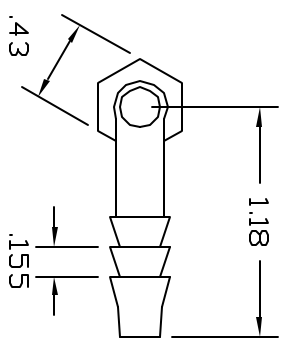
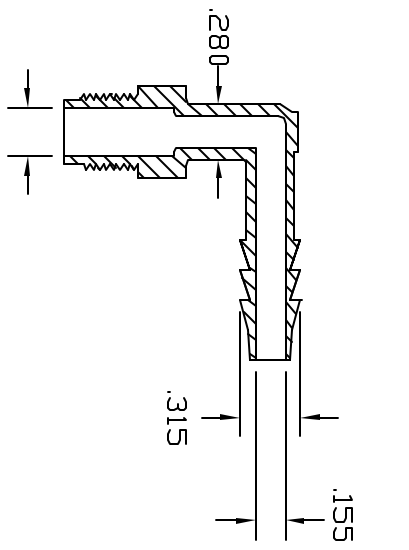
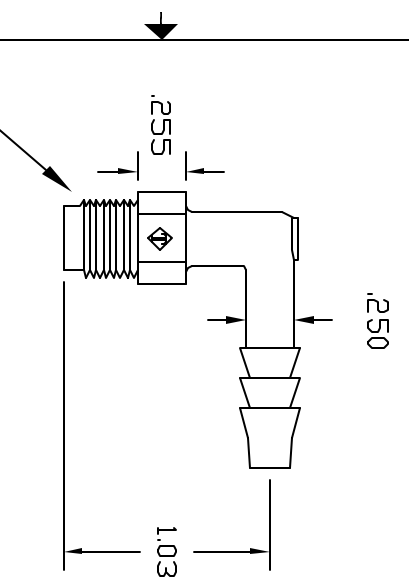


REVISIONS			
REV	DESCRIPTION	DATE	APPROVED
A	REDRAWN & RELEASED	11/97	11/97
B	UPDATE DWG. WITH NEW THREAD TOOLING	5/00	5/00
C	MODIFY BARBS	12/02	12/02



CONTROLLED DOCUMENT
ONLY IF IN RED

THIS PRINT AND THE SPECIFICATIONS ARE THE PROPERTY OF THOGUS PRODUCTS COMPANY AND HAVE BEEN ISSUED WITH THE UNDERSTANDING THAT IT IS TO BE USED FOR THE MANUFACTURE OF THIS PART ONLY. IT IS TO BE RETURNED UPON REQUEST.

UNLESS OTHERWISE SPECIFIED DIMENSIONS ARE IN INCHES		DRAWN		DATE	
TOLERANCES ARE:		NM		11/97	
FRACTIONS		2024N		PART NUMBER	
XX +/- .05		NYLON		TE2024/N	
XXX +/- .015		SCALE 1:1		SHEET 1 of 1	
PART NAME		33490 PIN DAK PARKWAY			
1/8 NPT X 1/4 BARBED ELBOW		AVON LAKE OHIO 44012			
THOGUS PRODUCTS					