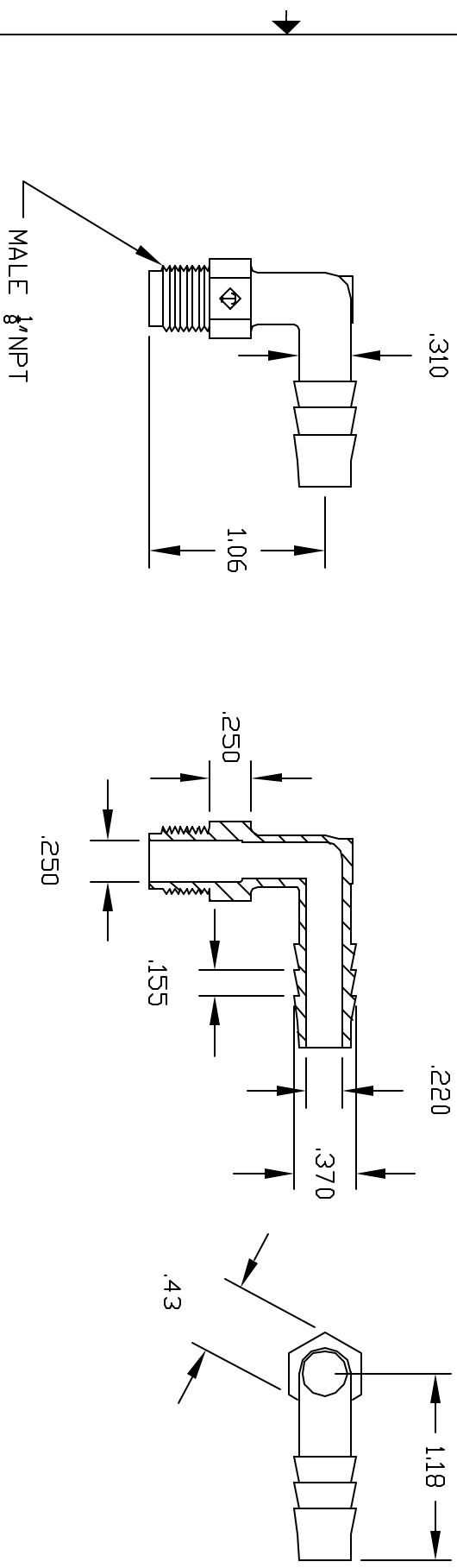


| REVISIONS | | | | |
|-----------|-----|-------------------------------------|--------|----------|
| ZONE | REV | DESCRIPTION | DATE | APPROVED |
| | A | REDRAWN & RELEASED | 11/97 | 11/97 |
| | B | UPDATE DWG. WITH NEW THREAD TOOLING | 5/8/00 | BM |
| | C | MODIFY BARB | 9/03 | |



CONTROLLED DOCUMENT
ONLY IF IN RED

CONFIDENTIAL
THIS PRINT AND THE SPECIFICATIONS ARE THE PROPERTY OF THOGUS PRODUCTS COMPANY AND HAVE BEEN ISSUED WITH THE UNDERSTANDING THAT ALL INFORMATION CONTAINED HEREIN IS TO BE KEPT STRICTLY CONFIDENTIAL AND NOT TO BE REPRODUCED OR TRANSMITTED IN ANY FORM OR BY ANY MEANS, ELECTRONIC OR MECHANICAL, INCLUDING PHOTOCOPYING, RECORDING, OR BY ANY INFORMATION STORAGE AND RETRIEVAL SYSTEM, WITHOUT THE WRITTEN PERMISSION OF THOGUS PRODUCTS COMPANY. THIS DOCUMENT IS THE PROPERTY OF THOGUS PRODUCTS COMPANY AND WILL BE RETURNED UPON REQUEST.

| | | | | | |
|---|-------|-----------------------|-------|---|--|
| UNLESS OTHERWISE SPECIFIED DIMENSIONS ARE IN INCHES | | DRAWN | | DATE | |
| 1/8 NPT X 5/16 BARBED ELBOW | 11/97 | NM | 11/97 | | |
| DESIGN AND TOLERANCES PER ASME Y14.5 | | FINISHED | | | |
| XX +/- .05 | | MATERIAL | 2025N | | |
| XXX +/- .015 | | | NYLON | | |
| PART NAME: 1/8 NPT X 5/16 BARBED ELBOW | | THOGUS PRODUCTS | | 33490 PIN DAK PARKWAY AVON LAKE OHIO 44012 | |
| SCALE: 1:1 | | PART NUMBER: TE2025/N | | SHEET 1 of 1 | |