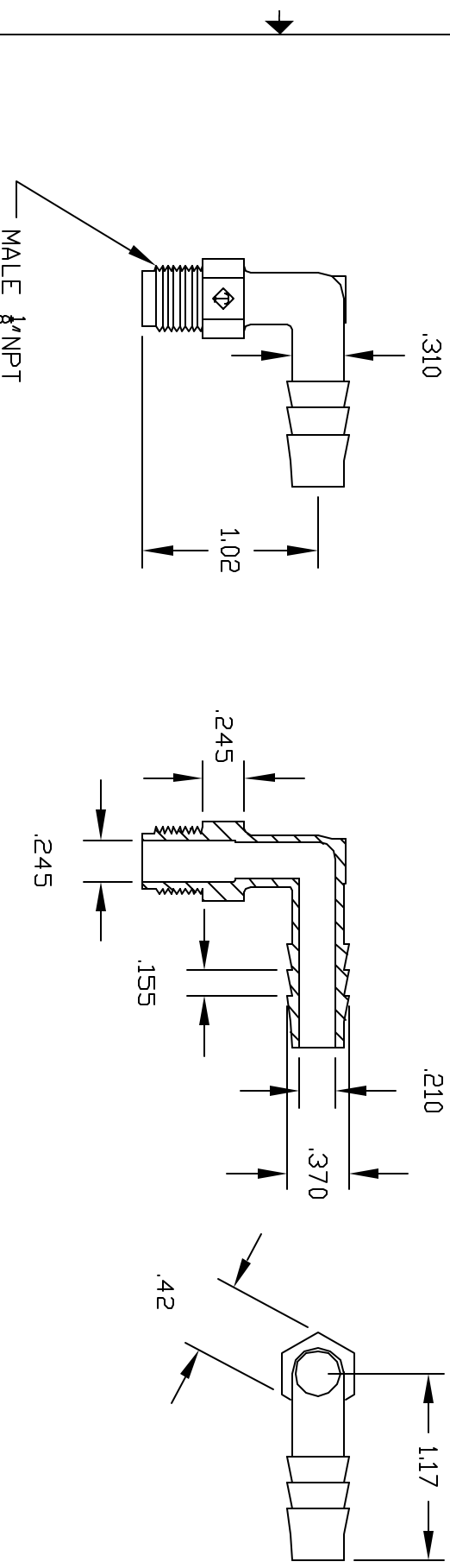


REVISIONS				
ZONE	REV	DESCRIPTION	DATE	APPROVED
	A	REDRAWN & RELEASED	11/97	11/97
	B	UPDATE DWG. WITH NEW THREAD TOOLING	5/8/00	BM
	C	MODIFY BARB	9/03	



CONTROLLED DOCUMENT  
ONLY IF IN RED

**CONFIDENTIAL**  
THIS PRINT AND THE SPECIFICATIONS ARE THE PROPERTY OF THOGUS PRODUCTS COMPANY AND HAVE BEEN ISSUED WITH THE UNDERSTANDING THAT ALL INFORMATION CONTAINED HEREIN IS UNCLASSIFIED AND THE RIGHT FOR THE MANUFACTURE FOR OTHERS AND WILL BE RETURNED UPON REQUEST.

UNLESS OTHERWISE SPECIFIED DIMENSIONS ARE IN INCHES		DRAWN		DATE	
XX +/- .05	XX +/- .05	NM		11/97	
XXX +/- .015	XX +/- .05	DESIGNED			
		MATERIAL			
		POLYETHYLENE			
PART NAME: 1/8 NPT X 5/16 BARBED ELBOW		THOGUS PRODUCTS 33490 PIN DAK PARKWAY AVON LAKE OHIO 44012			
SCALE: 1:1		PART NUMBER: TE2025/P		SHEET 1 of 1	