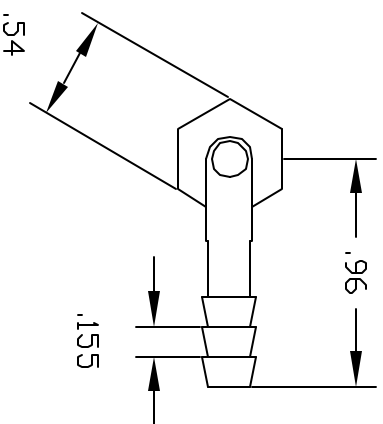
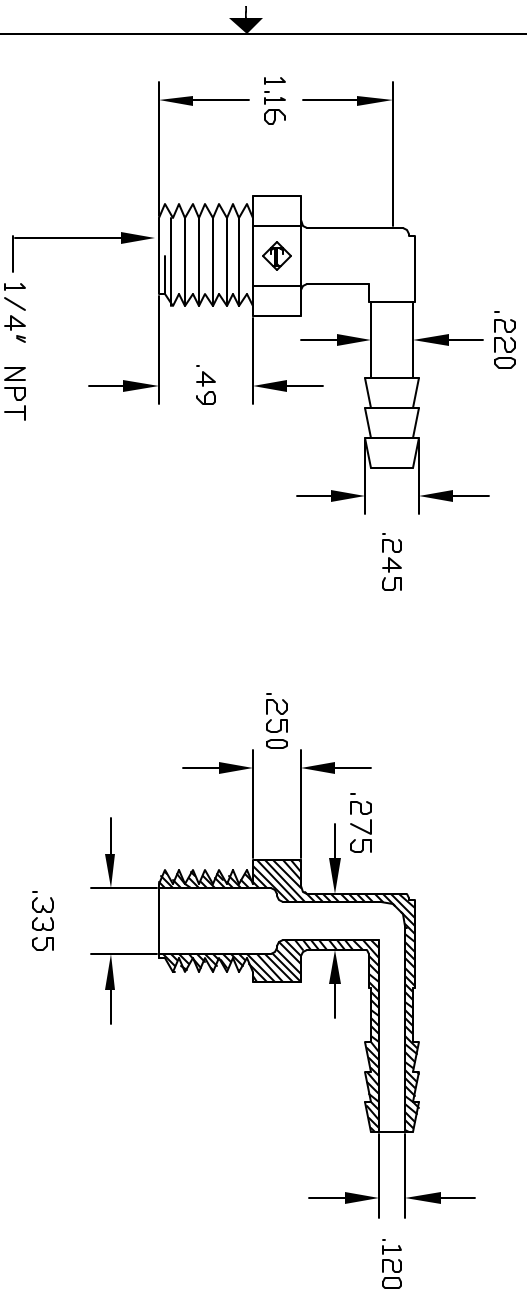


REVISIONS			
REV	DESCRIPTION	DATE	APPROVED
A	REDRAWN & RELEASED	5/98	5/98
B	MODIFY BARBS	05/0305/03	



COLOR: BLACK (PPB)

NATURAL (PPN)

CONTROLLED DOCUMENT
ONLY IF IN RED

CONFIDENTIAL
THIS PRINT AND THE SPECIFICATIONS ARE THE PROPERTY OF THOGUS PRODUCTS COMPANY AND HAVE BEEN ISSUED WITH THE UNDERSTANDING THAT IT IS TO BE KEPT FOR THE USE OF THE MANUFACTURER FOR OTHERS AND WILL BE RETURNED UPON REQUEST.

UNLESS OTHERWISE SPECIFIED DIMENSIONS ARE IN INCHES		TOLERANCES UNLESS SHOWN OTHERWISE	
XXX +.05	XX +.05	XX +.05	XX +.05
XXX +.05	XX +.05	XX +.05	XX +.05
DRAWN	DATE	DESIGNED	DATE
NM	5/98		
MATERIAL		PART NUMBER	
POLYPROPYLENE		TE2043/PP	
SCALE 1:1		SHEET 1 OF 1	
Part Name		REV	
1/4NPT X 3/16 BARB ELBOW		B	
THOGUS PRODUCTS		33490 PIN DAK PARKWAY	
		AYDON LAKE OHIO 44012	

THE INFORMATION ON THIS DRAWING IS UNCLASSIFIED