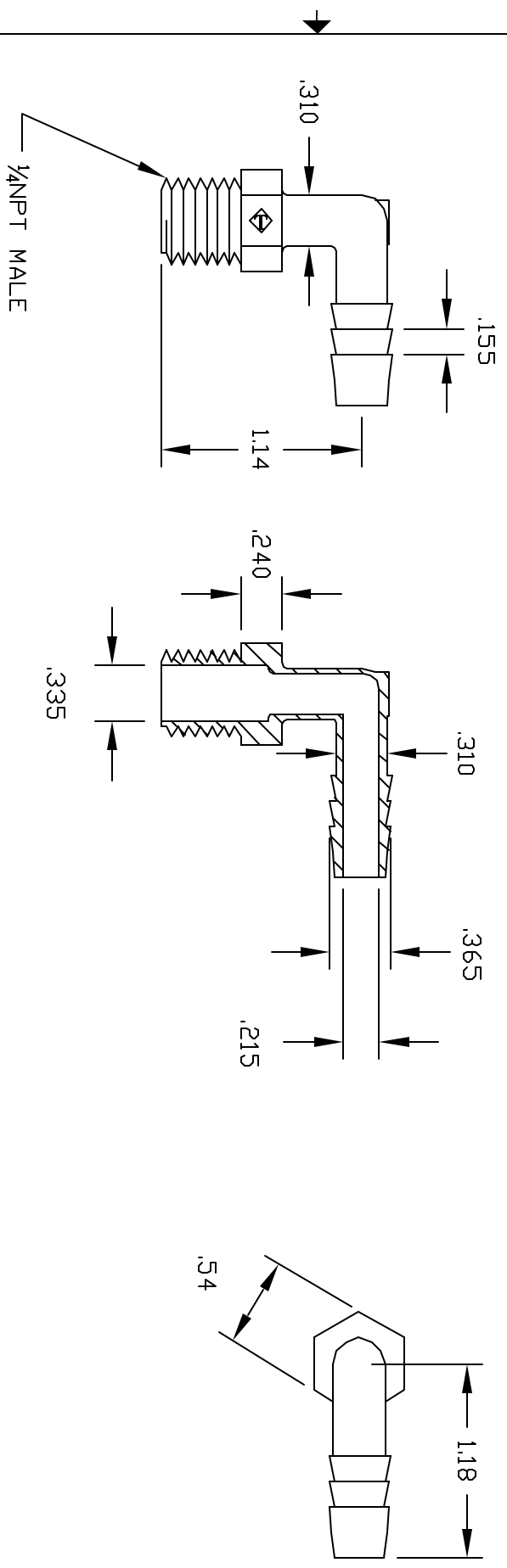


REVISIONS			
REV	DESCRIPTION	DATE	APPROVED
A	REDRAWN & RELEASED	10/97	10/97
B	1.15 WAS 1.12 .310 WAS .343	01/20/00	BM
C	UPDATE BARB	12/03	12/03



CONTROLLED DOCUMENT  
ONLY IF IN RED

CONFIDENTIAL  
THIS PRINT AND THE SPECIFICATIONS ARE THE PROPERTY OF THOGUS PRODUCTS COMPANY AND HAVE BEEN ISSUED WITH THE UNDERSTANDING THAT IT IS TO BE USED FOR THE MANUFACTURE OF THE PARTS AND WILL BE RETURNED UPON REQUEST.

UNLESS OTHERWISE SPECIFIED DIMENSIONS ARE IN INCHES		Part Number	1/4NPT X 5/16 BARB ELBOW
TOLERANCES UNLESS OTHERWISE SPECIFIED		THOGUS PRODUCTS	33490 PIN DAK PARKWAY AYDON LAKE OHIO 44012
DRAWN	NM	Part Number	TE2045/P
MATERIAL	POLYETHYLENE	SCALE	SHEET 1 of 1
FINISH	2045P	REV	C